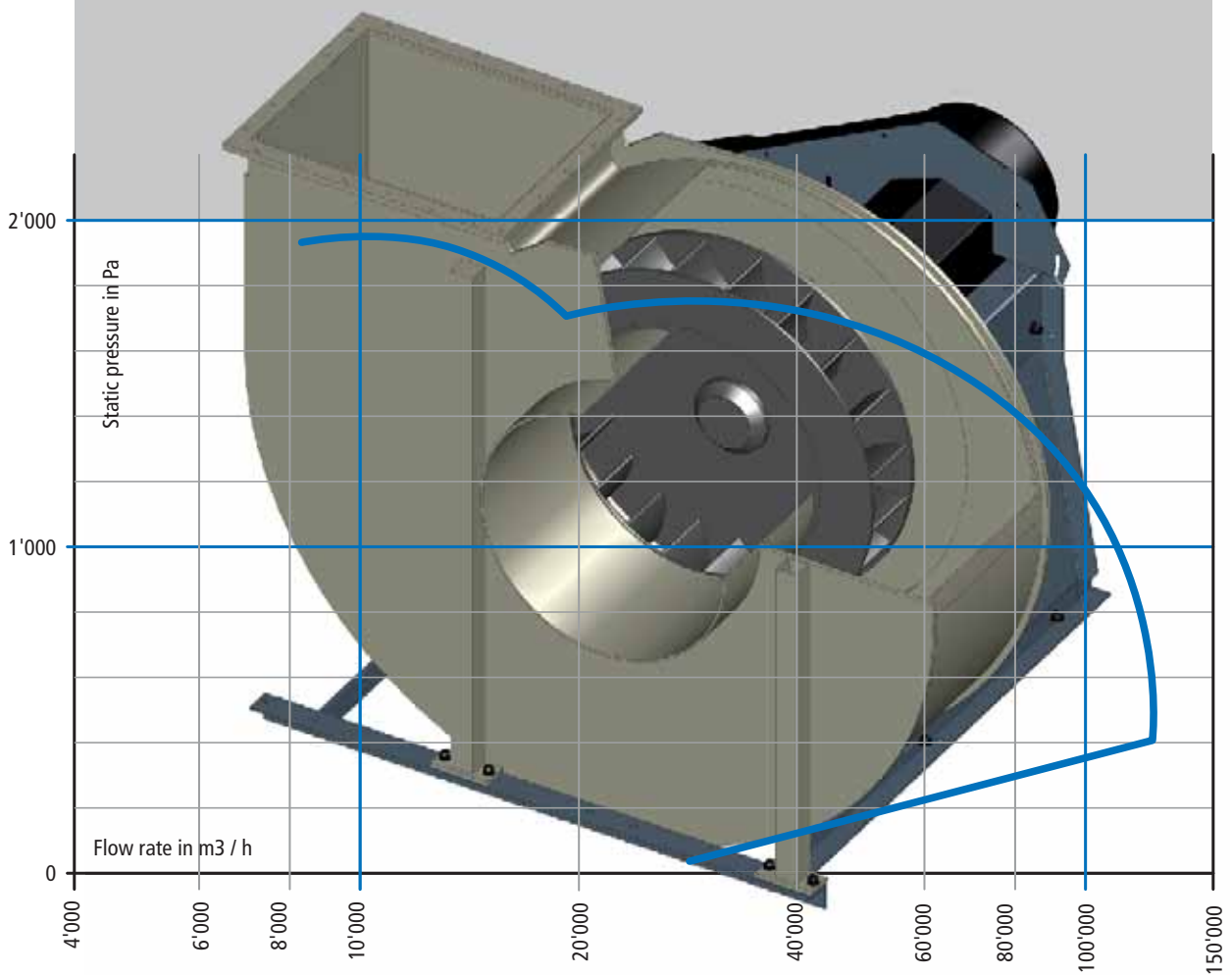


FANS

CMV 450 - 1250

Medium pressure
radial fan in plastic
Direct- or V-belt drive



www.colasit.com

Performance

Flow rate:	min. 3000 m ³ /h to max. 130'000 m ³ /h
Static pressure:	min. 300 Pa to max. 1'900 Pa
Efficiency:	max. 70 %
Inlet-Ø:	450, 500, 560, 630, 710, 800, 900, 1000, 1120, 1250 mm

Housing

- Self-supporting plastic design, welded
- Available in: PP, PPs, PPs-el, PE, PVC, PVDF
- 6 different outlet positions

Impeller

- 20 forward-curved blades
- Tested on an overspeed test stand
- transmission via standard taper lock system
- Balanced dynamically and statically in two ranges, balancing quality Q 6.3
- available in: PPs, PPs-el, PVDF

Support

- sturdy metal construction
 - up to model 800,
 - galvanised
 - stainless steel
 - model 900 and higher, profile construction, pot-galvanised

Drive

- | | |
|---------------|--|
| Direct drive: | - Impeller is mounted directly onto the motor shaft |
| V-belt drive: | - Power transmission via V-belt
- Impeller shaft is supported by heavy-duty self-aligning ball or roller bearings |
| Motor: | - Three phase motor <ul style="list-style-type: none"> - one / multi-stage - Foot motor |

EX-Protection

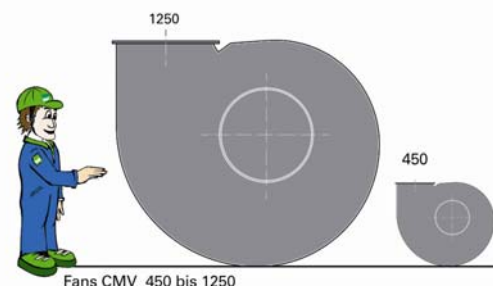
CMV 450 – 800 in ATEX. Available for zone 1 + 2

Hub seal

- Standard hub seals
- Lip seal simple or double (V4A or Hastelloy)
- Back absorption
- Sealing gas
- Back plates

Accessories

- PVC sleeve with fixing bands, stainless
- PVC sleeve with flange
- Conterflange
- Drain
- Vibration absorber for ground erection
- Splinter protection
- Weather-proof motor cover for outside installation
- Inspection hole
- Frequency converter IP 66 / IP 54 / IP 20

Dimensions

COLASIT AG
Plastic construction
CH-3700 Spiez

