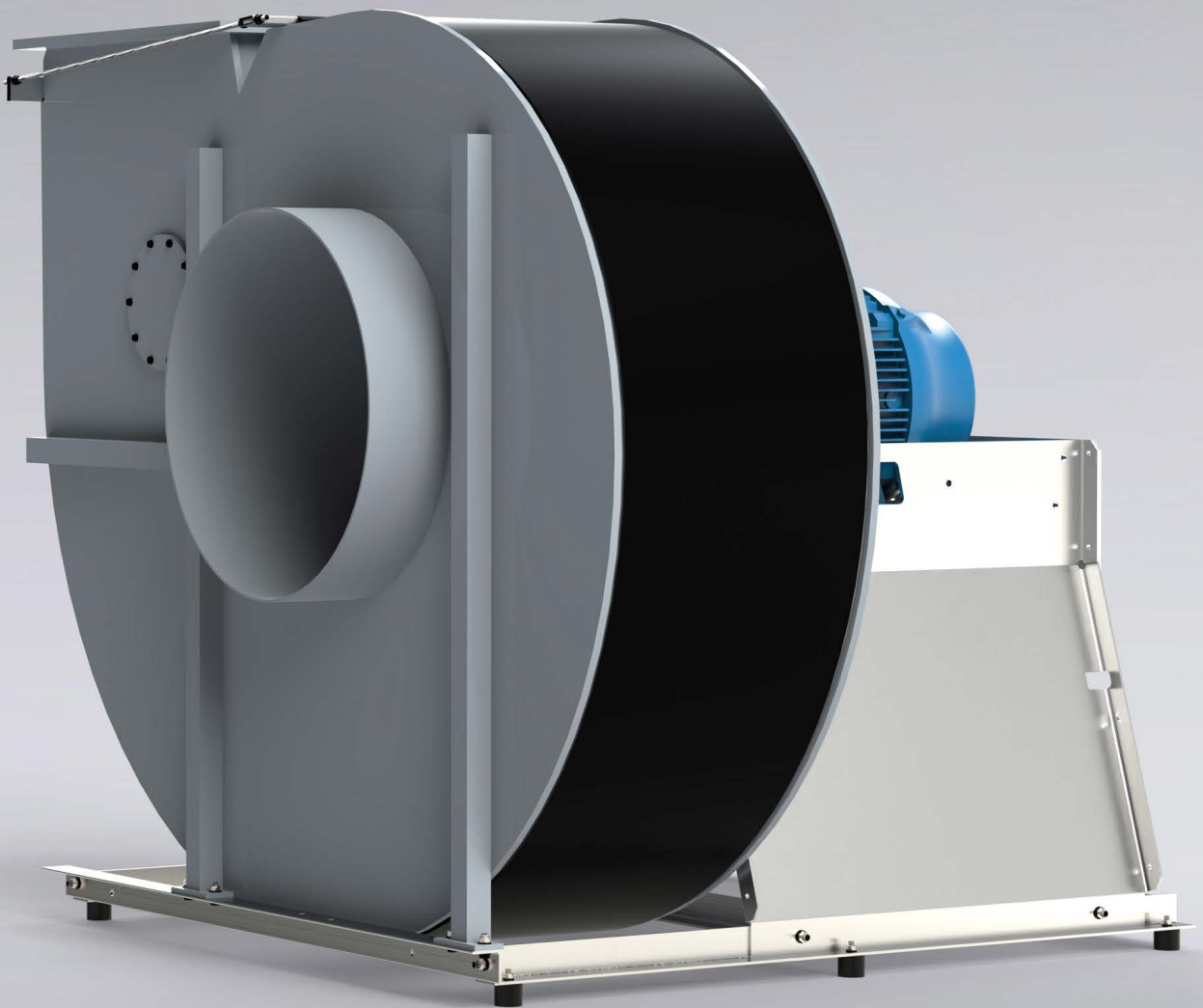


Fans

# CMMV 450-1250

Radial fan made of plastic



Excellent service life and efficiency. Worldwide.



The Colasit CMMV radial fan is a medium-pressure fan for high flow rates up to 132 000 m<sup>3</sup>/h and pressures up to 4000 Pa. This extremely reliable and very stable plastic fan is available in various materials and drive concepts. This radial fan is also suitable for different applications and many types of corrosive exhaust air and gases.

## Construction

- One stage, suction on one side
- Direct drive or V-belt drive
- CE marking

## Characteristics

### Volume flow

min. 2900 m<sup>3</sup>/h to max. 132 000 m<sup>3</sup>/h

### Static pressure

min. 200 Pa to max. 4000 Pa

### Efficiency (tot. mech.)

max. 70%

### Inlet and outlet Ø

450, 500, 560, 630, 710, 800, 900, 1000, 1120, 1250 mm

## Housing

- Available in **PE, PP, PPs, PPs-eI, PVDF, PVC**
- Sturdy welded construction
- 6 outlet positions for clockwise or counterclockwise rotation
- Control opening in casing
- Splinter protection for maximum safety
- Housing can be removed to clean the fan

## Impeller

- Available in **PP, PPs, PPs-eI, PVDF**
- Forward-curved impeller blades
- Transmission of force via standard taper lock bushing or positive locking

## Support

- Available in **stainless steel or galvanized**
- Sturdy sheet metal construction
- Extrusion construction from size 900 and larger
- Maintenance-free pillow block bearing for version with V-belt drive

## Ex protection

- Version available in ATEX **Zone 1 / 2** 

## Drive

- Direct drive: Impeller mounted directly on motor shaft
- V-belt drive: Transmission of force via V-belt drive with tensioning device
- Motor: Asynchronous motor  
PM motor (required with FC)

## Hub seal

- Standard seal (minimal hub-to-casing gap)

## Optional

- Lip seal, single or double (stainless steel or Hastelloy)
- Back-plated impeller (negative pressure in hub area)

## Accessories/options

### Required

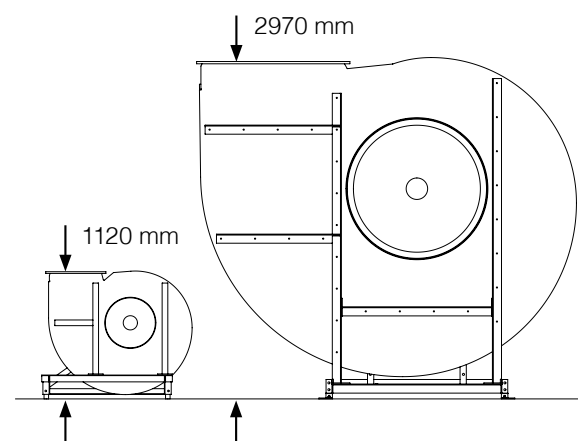
- Vibration absorbers for floor mounting
- Sleeves as flexible connection or protective grid
- Isolation switch

### Optional

- Frequency converter for speed control
- Casing drain
- Motor cover

## Dimensions

450, 500, 560, 630, 710, 800, 900, 1000, 1120, 1250 mm



## Plastic fans from Colasit

Since its founding in 1945, Colasit has grown to be a leading provider of fans made of corrosion-resistant plastics. Colasit has been setting the standard within its product lines for many decades. Hundreds of thousands of Colasit fans are improving air quality in the industrial sector in laboratories and building technology around the world.

## Swiss quality with global support

Fan development and plastic component production take place in Switzerland to guarantee our exceptional quality. Colasit and its distribution sites all around the world provide professional consultation, sales, on-site assembly of plastic fans, installation, and service.

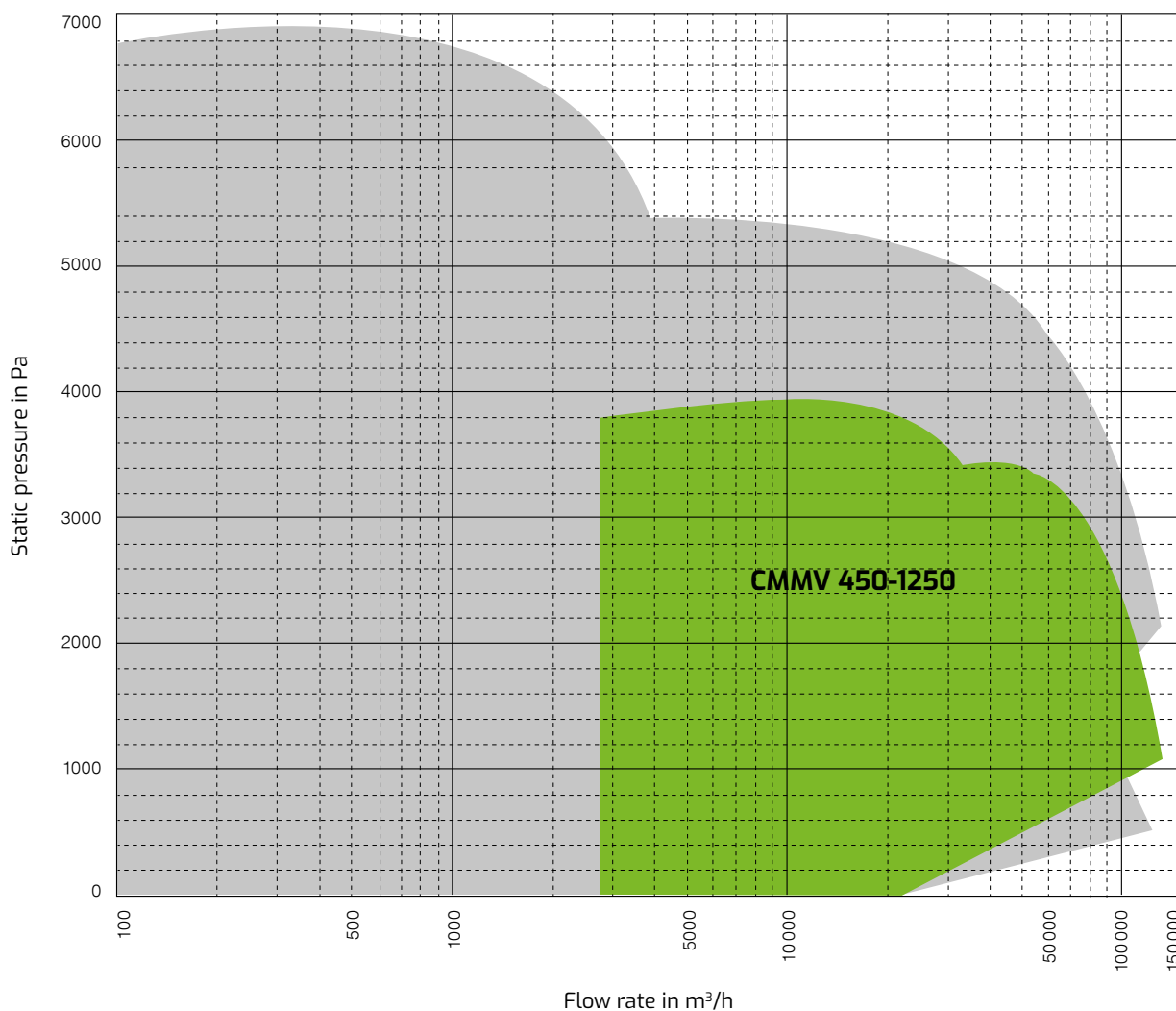
## Key features

Colasit plastic fans are a durable, energy-efficient solution. Process reliability is what we ultimately offer. Our ATEX-compliant fans offer maximum safety even in potentially explosive atmospheres (Zone 1 or 2).

## Online configurator ColaVent®/BIM

Our comprehensive product range provides excellent coverage of requirements for flow rates up to 130 000 m<sup>3</sup>/h and static pressures up to 7000 Pa. Colasit supports planners, engineers, and operators in designing plastic fans from Colasit with the ColaVent® online configurator at [www.colasit.com/colavent](http://www.colasit.com/colavent). Colasit also provides the BIM data necessary for design.

<https://colasit.partcommunity.com>



# Worldwide

Colasit is a worldwide leading provider of chemically resistant fans, exhaust air purification systems, ventilation systems for corrosive and environmentally harmful exhaust air and gases as well as apparatus and processing systems for chemically aggressive liquid media.



Exhaust air purification systems made of plastic for treating environmentally hazardous exhaust air and gases



Plastic fans for efficient and safe conveying of corrosive exhaust air and gases



Ventilation systems made of plastic for efficient routing of corrosive exhaust air and gases



Processing systems, containers, vessels, and equipment for safe handling of chemically aggressive liquid media



Installation, repair, and replacement parts services



Consultation and engineering services in plastic construction for individual components to entire systems

## COLASIT AG

Plastic construction • Faulenbachweg 63 • 3700 Spiez, Switzerland  
Phone +41 (0)33 655 61 61 • fans@colasit.com

[www.colasit.com](http://www.colasit.com)

Competence in plastics. Worldwide.

