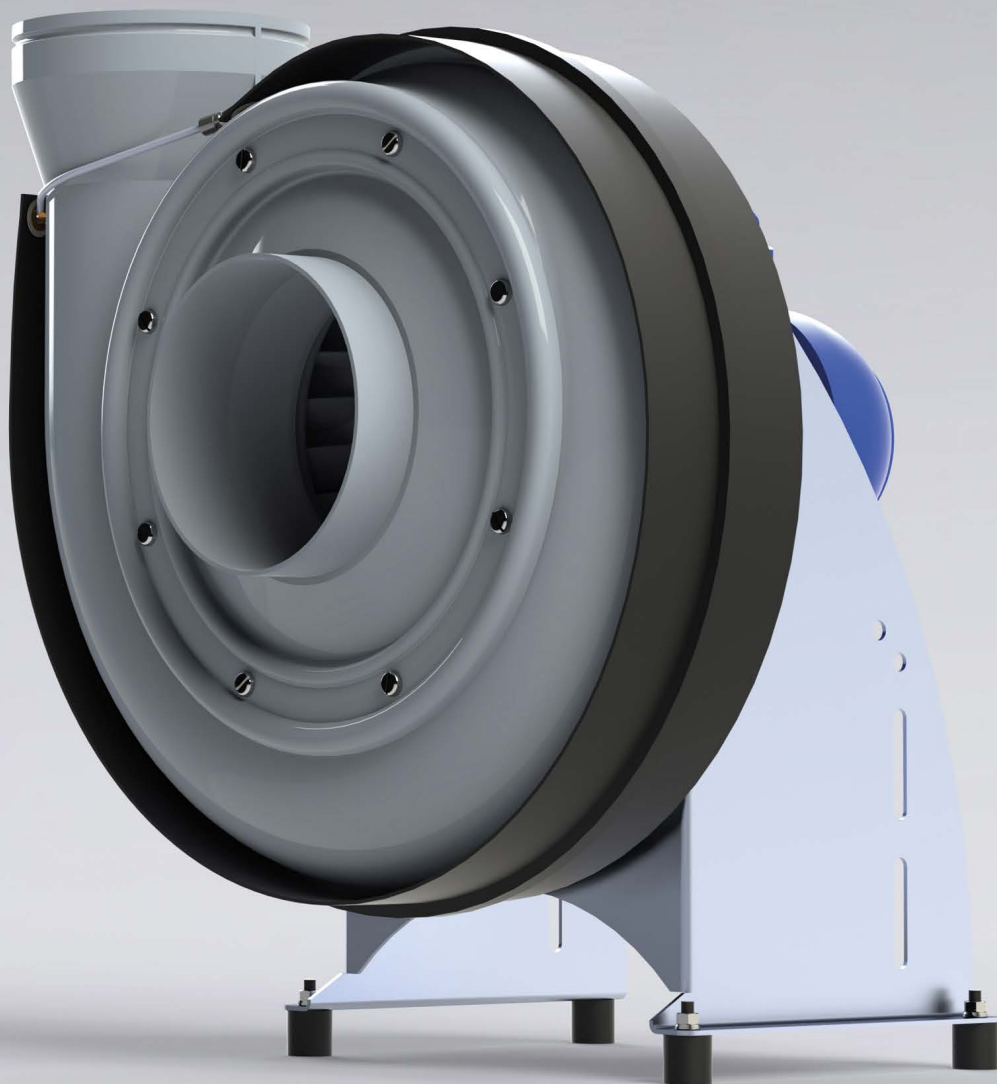


Fans

CMVeco 125-400

Radial fan made of plastic



Excellent service life and efficiency. Worldwide.



The Colasit CMVeco radial fan has been produced since 2009 and is a proven and absolutely reliable plastic fan. The CMVeco is available in various materials and drive concepts, and can be supplied for most applications with chemically aggressive gases and exhaust air.

Construction

- One stage, suction on one side
- Direct drive or V-belt drive
- CE marking

Characteristics

Volume flow

min. 150 m³/h to max. 13500 m³/h

Static pressure

min. 50 Pa to max. 3000 Pa

Efficiency (tot. mech.)

max. 79%

Inlet and outlet Ø

125, 160, 200, 250, 315, 400 mm

Casing

- Available in **PE, PPs, PPs-el, PVDF, PVC, PPs white**
- Self-supporting shell construction
- Vacuum formed (twin sheet)
- 6 outlet positions for clockwise or counterclockwise rotation
- Inlet cover can easily be removed to clean the fan
- Splinter protection for maximum safety

Impeller

- Available in **PPs, PPs-el, PVDF**
- Injection molded
- Forward-curved impeller blades
- Transmission of force via fully plastic-coated aluminum hub
- Adapter for simple impeller mounting

Support

- Available in **stainless steel or galvanized**
- Sturdy sheet metal construction
- Maintenance-free flange bearing for version with V-belt drive

Ex protection

- Version available in ATEX **Zone 1 / 2** 

Drive

- Direct drive: Impeller mounted directly on motor shaft
- V-belt drive: Transmission of force via V-belt drive with tensioning device
- Motor: Asynchronous motor
PM motor (required with FC)
EC motor (with integrated FC)

Hub seal

- Standard seal (minimal hub-to-casing gap)

Optional

- Felt ring seal
- V-ring seal
- Back-plated impeller (negative pressure in hub area)

Accessories/options

Required

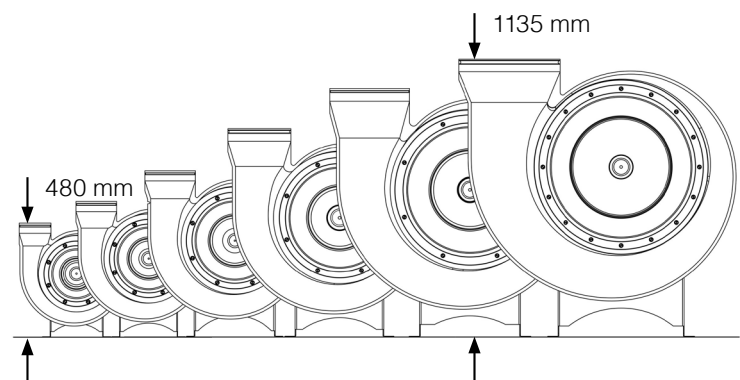
- Vibration absorbers for floor mounting
- Vibration absorbers for ceiling mounting
- Sleeves as flexible connection or protective grid
- Isolation switch

Optional

- Frequency converter for speed control
- Casing drain
- Motor cover
- Wall bracket

Dimensions

125, 160, 200, 250, 315, 400 mm



Plastic fans from Colasit

Since its founding in 1945, Colasit has grown to be a leading provider of fans made of corrosion-resistant plastics. Colasit has been setting the standard within its product lines for many decades. Hundreds of thousands of Colasit fans are improving air quality in the industrial sector in laboratories and building technology around the world.

Swiss quality with global support

Fan development and plastic component production take place in Switzerland to guarantee our exceptional quality. Colasit and its distribution sites all around the world provide professional consultation, sales, on-site assembly of plastic fans, installation, and service.

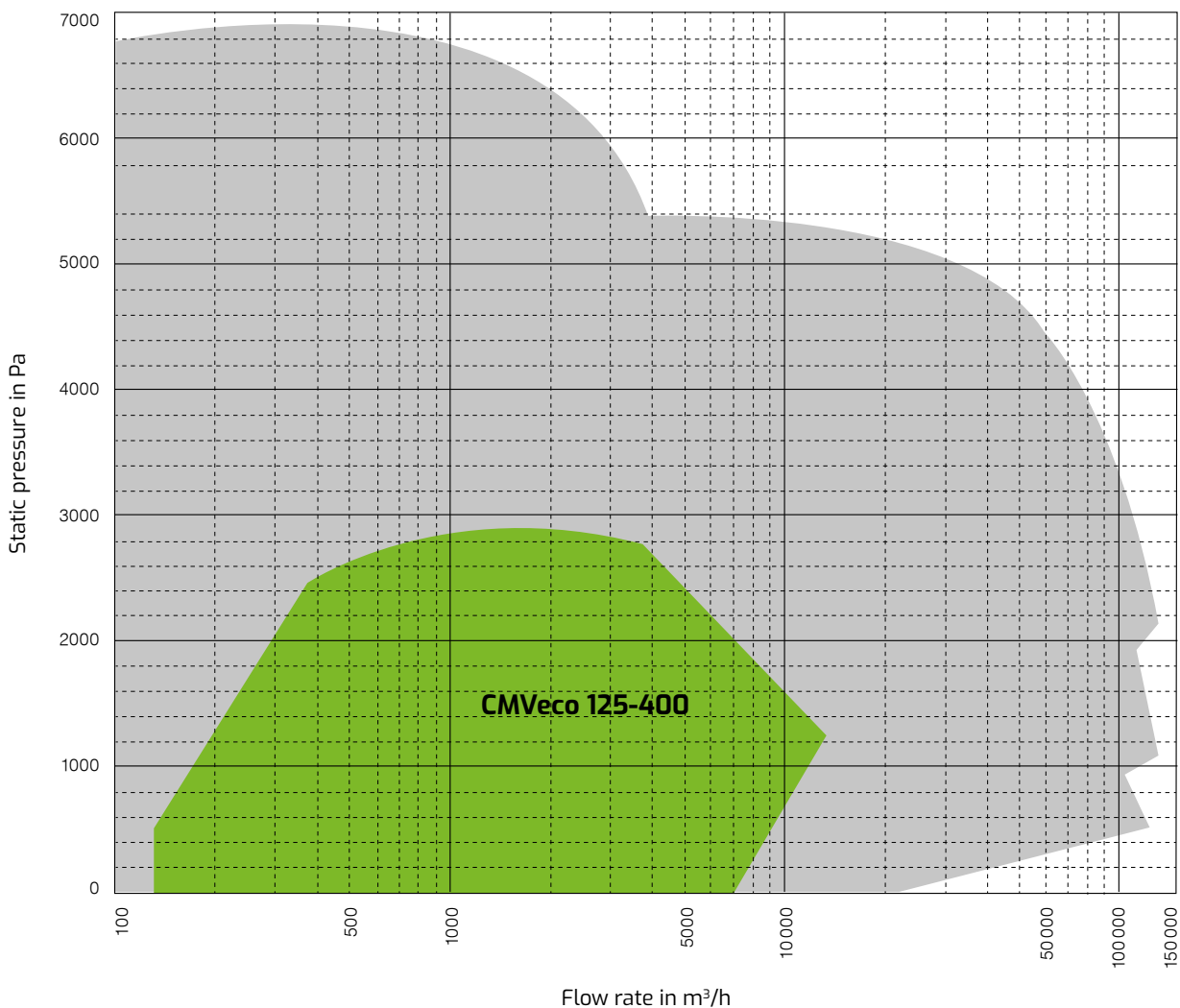
Key features

Colasit plastic fans are a durable, energy-efficient solution. Process reliability is what we ultimately offer. Our ATEX-compliant fans offer maximum safety even in potentially explosive atmospheres (Zone 1 or 2).

Online configurator ColaVent®/BIM

Our comprehensive product range provides excellent coverage of requirements for flow rates up to 130 000 m³/h and static pressures up to 7000 Pa. Colasit supports planners, engineers, and operators in designing plastic fans from Colasit with the ColaVent® online configurator at www.colasit.com/colavent. Colasit also provides the BIM data necessary for design.

<https://colasit.partcommunity.com>



Worldwide

Colasit is a worldwide leading provider of chemically resistant fans, exhaust air purification systems, ventilation systems for corrosive and environmentally harmful exhaust air and gases as well as apparatus and processing systems for chemically aggressive liquid media.



Exhaust air purification systems made of plastic for treating environmentally hazardous exhaust air and gases



Plastic fans for efficient and safe conveying of corrosive exhaust air and gases



Ventilation systems made of plastic for efficient routing of corrosive exhaust air and gases



Processing systems, containers, vessels, and equipment for safe handling of chemically aggressive liquid media



Installation, repair, and replacement parts services



Consultation and engineering services in plastic construction for individual components to entire systems

COLASIT AG

Plastic construction • Faulenbachweg 63 • 3700 Spiez, Switzerland
Phone +41 (0)33 655 61 61 • fans@colasit.com

www.colasit.com

Competence in plastics. Worldwide.

The COLASIT logo, consisting of the word "COLASIT" in a bold, white, sans-serif font, set against a green rectangular background.