

Fans

CRDV-R 200-315

Duct fan made of plastic



Excellent service life and efficiency. Worldwide.



The Colasit CRDV-R plastic duct fan can be installed both horizontally and vertically in aligned pipe systems. The reliability and stability of the plastic fan is demonstrated by the demand and many years of use in practice.

Construction

- One stage, suction on one side
- Direct drive
- CE marking

Characteristics

Volume flow

min. 340 m³/h to max. 5600 m³/h

Static pressure

min. 50 Pa to max. 1700 Pa

Efficiency (tot. mech.)

max. 42%

Inlet and outlet Ø

200, 250, 315 mm

Housing

- Available in **PPs, PPs-el**
- Sturdy casing
- Vacuum formed

Impeller

- Available in **PPs, PPs-el, PVDF**
- Injection molded
- Forward-curved impeller blades
- Transmission of force via fully plastic-coated aluminum hub
- Adapter for simple impeller mounting

Ex protection

- Version available in ATEX **Zone 1 / 2** 

Drive

- Direct drive: Impeller mounted directly on motor shaft
- Motor:
 - Asynchronous motor
 - PM motor (required with FC)
 - EC motor (with integrated FC)
- Motor separated from exhaust
- Motor cooled via separate ventilation system

Hub seal

- Standard seal (V-ring seal)

Accessories/options

Required

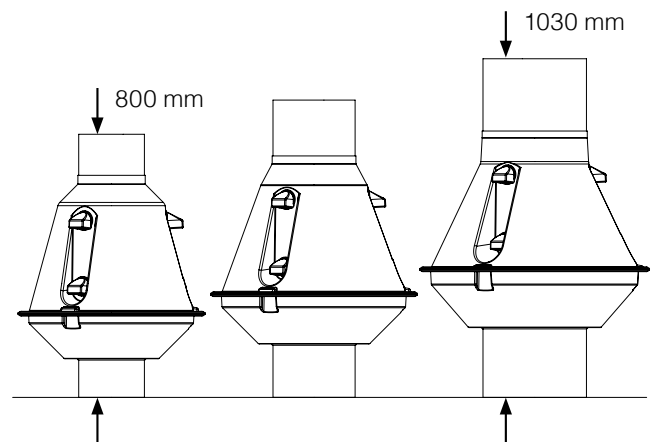
- Sleeves as flexible connection or protective grid
- Isolation switch (mounted separately)

Optional

- Frequency converter for speed control
- Bracket for floor, ceiling, or wall mounting

Dimensions

200, 250, 315 mm



Plastic fans from Colasit

Since its founding in 1945, Colasit has grown to be a leading provider of fans made of corrosion-resistant plastics. Colasit has been setting the standard within its product lines for many decades. Hundreds of thousands of Colasit fans are improving air quality in the industrial sector in laboratories and building technology around the world.

Swiss quality with global support

Fan development and plastic component production take place in Switzerland to guarantee our exceptional quality. Colasit and its distribution sites all around the world provide professional consultation, sales, on-site assembly of plastic fans, installation, and service.

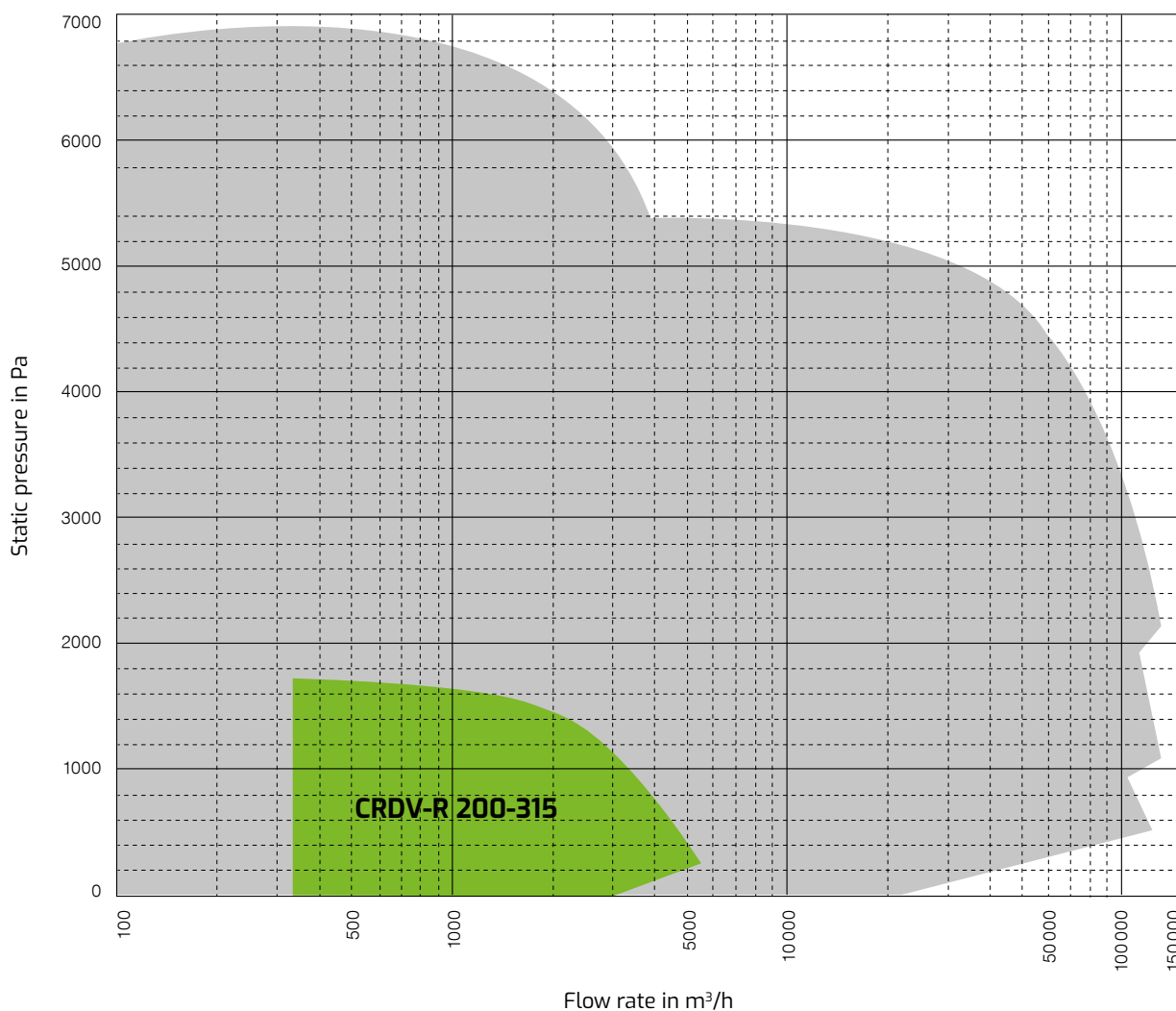
Key features

Colasit plastic fans are a durable, energy-efficient solution. Process reliability is what we ultimately offer. Our ATEX-compliant fans offer maximum safety even in potentially explosive atmospheres (Zone 1 or 2).

Online configurator ColaVent®/BIM

Our comprehensive product range provides excellent coverage of requirements for flow rates up to 130 000 m³/h and static pressures up to 7000 Pa. Colasit supports planners, engineers, and operators in designing plastic fans from Colasit with the ColaVent® online configurator at www.colasit.com/colavent. Colasit also provides the BIM data necessary for design.

<https://colasit.partcommunity.com>



Worldwide

Colasit is a worldwide leading provider of chemically resistant fans, exhaust air purification systems, ventilation systems for corrosive and environmentally harmful exhaust air and gases as well as apparatus and processing systems for chemically aggressive liquid media.



Exhaust air purification systems made of plastic for treating environmentally hazardous exhaust air and gases



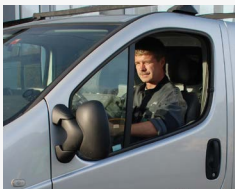
Plastic fans for efficient and safe conveying of corrosive exhaust air and gases



Ventilation systems made of plastic for efficient routing of corrosive exhaust air and gases



Processing systems, containers, vessels, and equipment for safe handling of chemically aggressive liquid media



Installation, repair, and replacement parts services



Consultation and engineering services in plastic construction for individual components to entire systems

COLASIT AG

Plastic construction • Faulenbachweg 63 • 3700 Spiez, Switzerland
Phone +41 (0)33 655 61 61 • fans@colasit.com

www.colasit.com

Competence in plastics. Worldwide.

The COLASIT logo, consisting of the word "COLASIT" in a bold, white, sans-serif font, set against a green rectangular background.