

Exhaust air purification

# CANW

Ammonia emergency scrubber  
made of plastic

Setting the standard for clean air. Worldwide.

**COLASIT**

The Colasit CANW ammonia emergency scrubber is installed for the removal of ammonia that has escaped from refrigeration systems. The emergency scrubber dimensions are tailored to the NH<sub>3</sub> content of the refrigeration system and the volume of the central cooling system.

## Characteristics

### Volume flow

min. 1000 m<sup>3</sup>/h to max. 4000 m<sup>3</sup>/h

### Efficiency (tot. mech.)

max. 99.0%

## Construction

Made of non-corrosive **PP** plastic. Packaging materials ensure sufficient boundary surface area between the gas and fluid phase. A mist eliminator is used to separate liquid drops that have been carried along.

## Ex protection

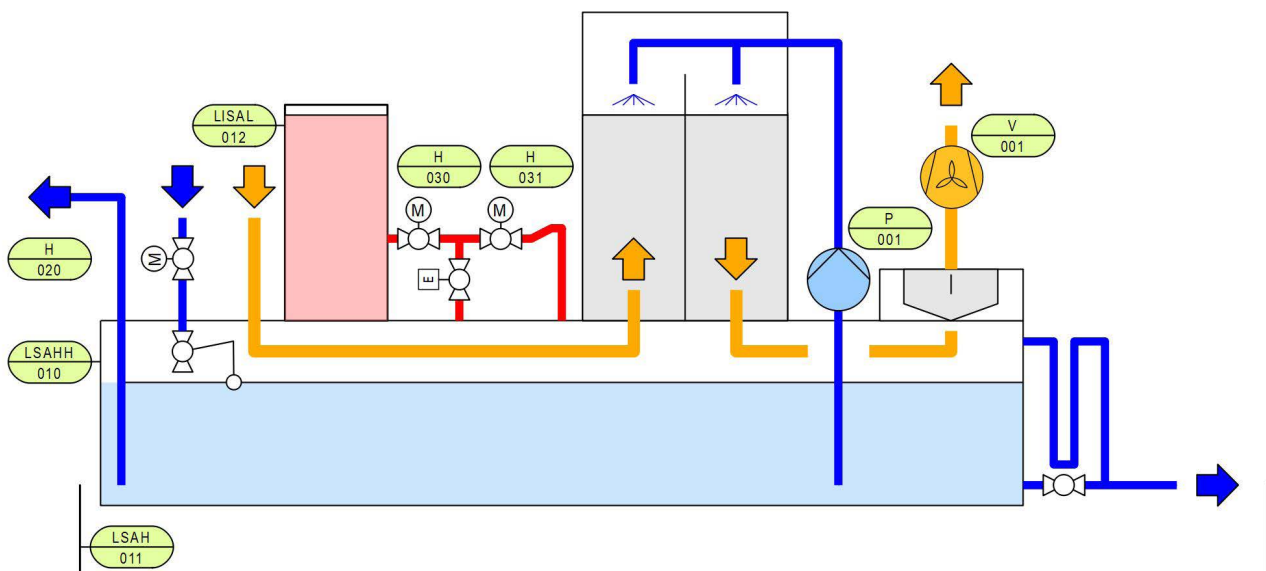
– Available in ATEX model for **Zone 2** 

## Accessories

- Process controller
- Dip tray

## Design

Custom-designed to your specifications

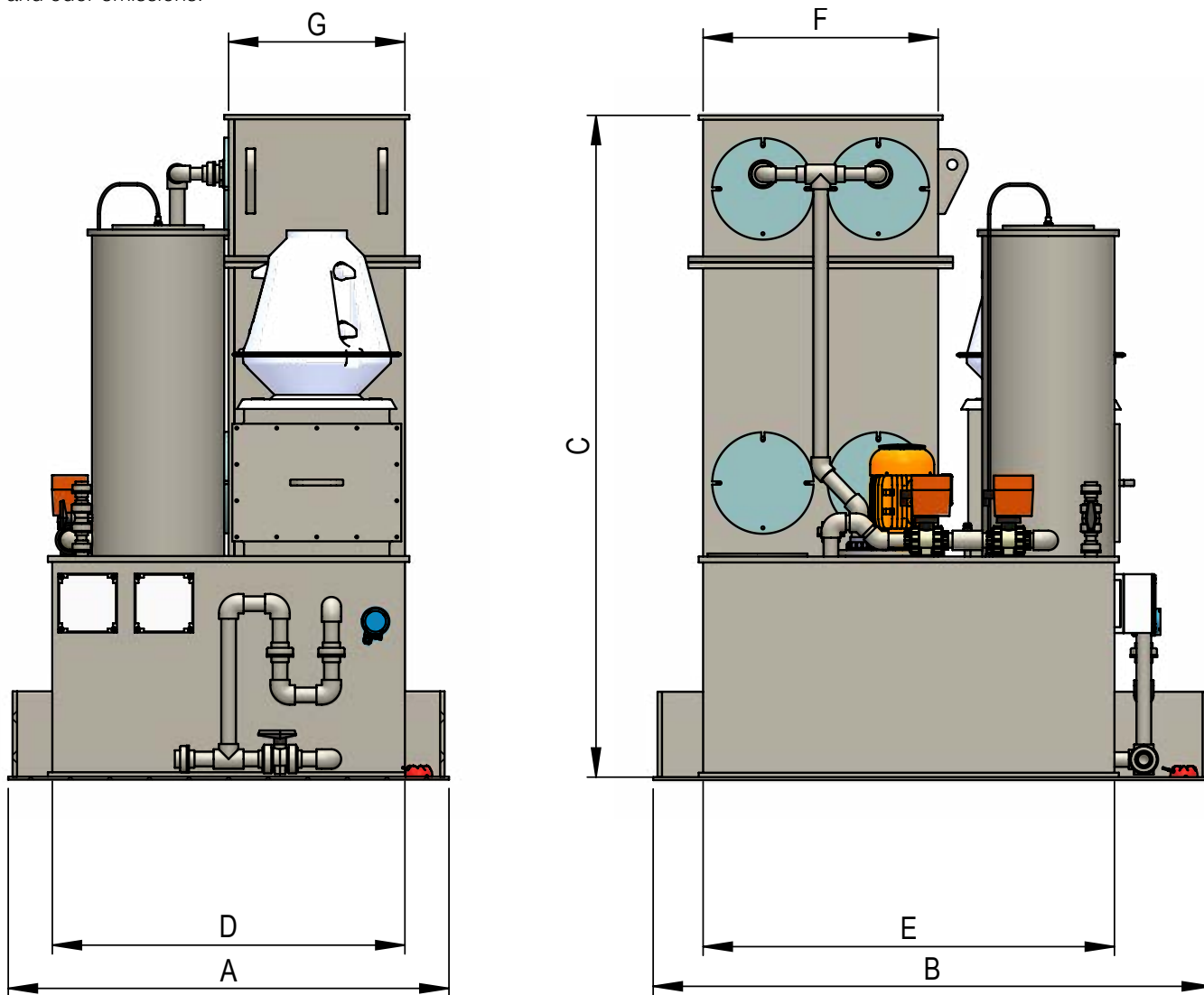


### Exhaust air purification from Colasit

The exhaust air and exhaust gas from industrial applications, laboratories, and building technology can be hazardous to health and the environment. Colasit has been supporting you for many decades by supplying professional exhaust air purification systems to protect employees and the environment from harmful substances and odor emissions.

### Key features

Colasit's exhaust air purification systems made of plastic are designed specifically for the processes they will be used in. Thanks to our wide range of exhaust air scrubbers in horizontal and vertical models, we can handle nearly any application.



The Colasit ammonia emergency scrubbers CANW are available in the following standard sizes:

	A	B	C	D	E	F	G	Volume flow
<b>CANW 100</b>	1400 mm	1700 mm	2150 mm	1230 mm	1430 mm	800 mm	600 mm	1000 m³/h
<b>CANW 200</b>	2000 mm	2000 mm	2150 mm	1830 mm	1830 mm	1000 mm	800 mm	1500 m³/h
<b>CANW 350</b>	2200 mm	2200 mm	2500 mm	1930 mm	1830 mm	1200 mm	1100 mm	2800 m³/h
<b>CANW 500</b>	2200 mm	3000 mm	2500 mm	1830 mm	2630 mm	1600 mm	1100 mm	4000 m³/h

# Worldwide

Colasit is a worldwide leading provider of chemically resistant fans, exhaust air purification systems, ventilation systems for corrosive and environmentally harmful exhaust air and gases as well as apparatus and processing systems for chemically aggressive liquid media.



Exhaust air purification systems made of plastic for treating environmentally hazardous exhaust air and gases



Plastic fans for efficient and safe conveying of corrosive exhaust air and gases



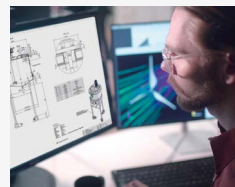
Ventilation systems made of plastic for efficient routing of corrosive exhaust air and gases



Processing systems, containers, vessels, and equipment for safe handling of chemically aggressive liquid media



Installation, repair, and replacement parts services



Consultation and engineering services in plastic construction for individual components to entire systems

## COLASIT AG

Plastic construction • Faulenbachweg 63 • 3700 Spiez, Switzerland  
Phone +41 (0)33 655 61 61 • ventilations@colasit.com

[www.colasit.com](http://www.colasit.com)

Competence in plastics. Worldwide.

