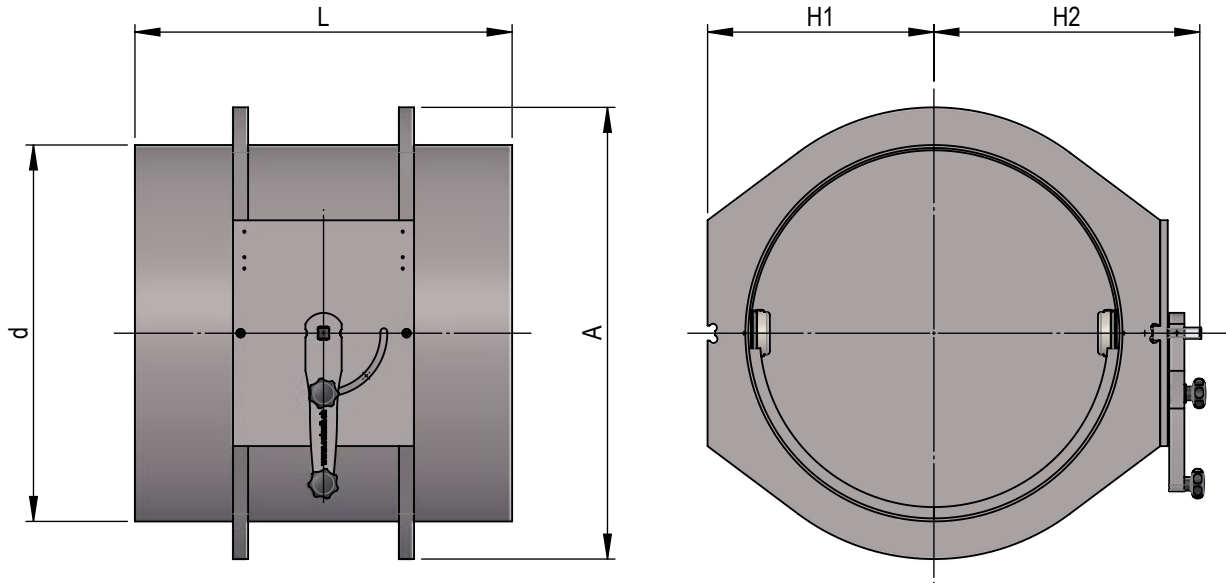


Dimension drawing 1031112
 Material PPs
 Operating pressure +/- 1500 Pa, 40 °C



d	L	L1	H1	H2	Item No.	
					Pipe dimension	Socket dimension
d400	500	500	250	325	39814	39813
d450	500	550	275	350	39541	20459
d500	500	600	300	375	39542	20460
d560	500	660	330	405	39543	20461
d630	500	730	365	440	39544	20462
d710	500	810	405	480	39545	20463
d800	500	900	450	525	39546	20464
d900	1000	1000	500	575	39547	20465
d1000	1000	1100	550	625	39548	20466
d1120	1000	1220	610	685	39549	20467
d1250	1000	1350	675	750	39550	20468