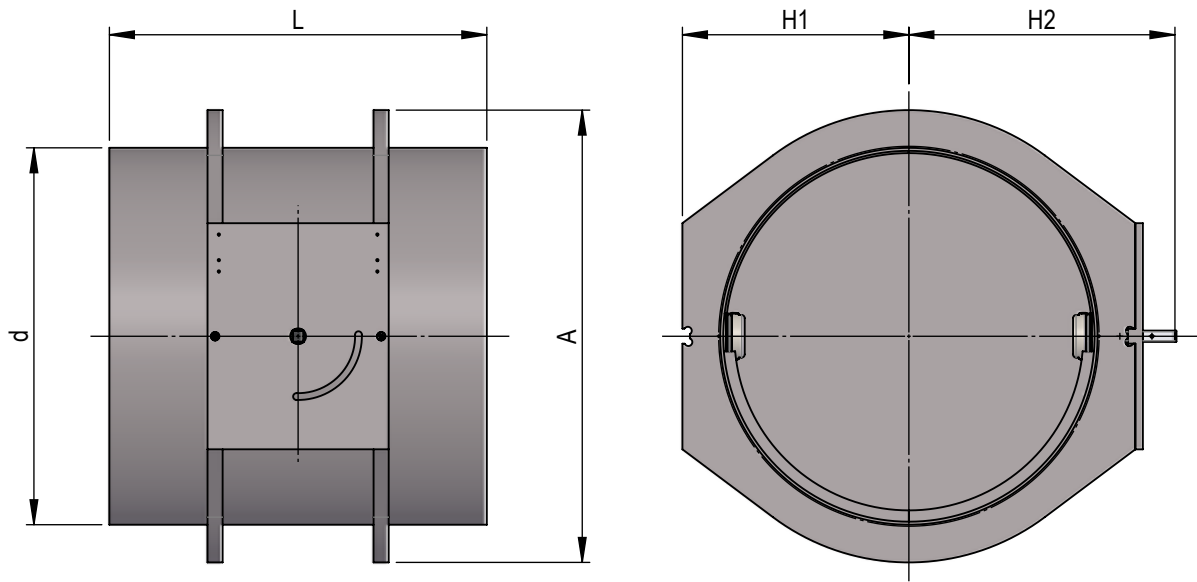


Dimension drawing 1031262
 Material PPs
 Operating pressure +/- 1500 Pa, 40 °C



d	L	D	H1	H2	Item No.	
					Pipe dimension	Socket dimension
d400	500	500	250	325	39816	39815
d450	500	550	275	350	39551	20529
d500	500	600	300	375	39552	20530
d560	500	660	330	405	39553	20531
d630	500	730	365	440	39554	20532
d710	500	810	405	480	39555	20533
d800	500	900	450	525	39556	20534
d900	1000	1000	500	575	39557	20535
d1000	1000	1100	550	625	39558	20536
d1120	1000	1220	610	685	39559	20537
d1250	1000	1350	675	750	39560	20538