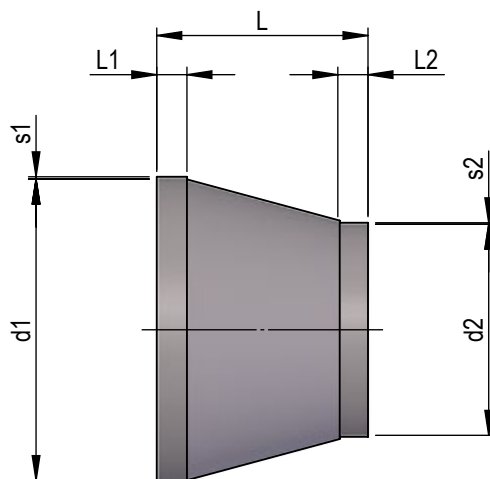


Ventilation pipe, moulded parts round

Reduction COLASIT with sockets

Dimension drawing
Material
Operating pressure

1025051
PPs
+/- 1500 Pa, 40°C



d1 - d2	L	L1	L2	S1	S2	Item No.
560-400	400	80	60	4	6	20793
560-450	300	80	60	4	6	20794
560-500	250	80	60	4	6	20795
630-450	425	80	60	5	6	20796
630-500	350	80	60	5	6	20797
630-560	280	80	80	5	4	20798
710-500	480	80	60	5	6	20799
710-560	400	80	80	5	4	20800
710-630	300	80	80	5	5	20801
800-560	560	80	80	6	4	20802
800-630	450	80	80	6	5	20803
800-710	350	80	80	6	5	20804
900-630	600	80	80	6	5	20805
900-710	480	80	80	6	5	20806
900-800	350	80	80	6	6	20807
1000-710	660	80	80	8	5	20808
1000-800	500	80	80	8	6	20809
1000-900	400	80	80	8	6	20810
1120-800	700	80	80	8	6	38734
1120-900	550	80	80	8	6	38735
1120-1000	400	80	80	8	8	38736
1250-800	850	80	80	8	6	20811
1250-900	700	80	80	8	6	20812
1250-1000	550	80	80	8	8	20813

Edition 2023 • Subject to alteration • Copyright by COLASIT AG Spiez

COLASIT AG

Plastic construction • Faulenbachweg 63 • CH-3700 Spiez
Phone +41 (0)33 655 61 61 • ventilations@colasit.com

www.colasit.com

Competence in plastics. Worldwide.

