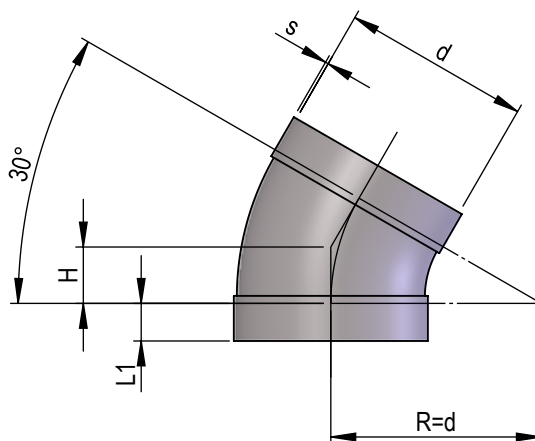


Ventilation pipe, moulded parts round

Pipe bends 30° with sockets

Dimension drawing
Material
Operating pressure

1031873
PPs
+/- 1500 Pa, 40°C



NG	H	L1	s	Item No.
50	20	25	3	39656
63	20	25	3	39657
75	25	35	3	39658
90	30	35	3	39659
110	40	40	3	39660
125	45	40	3	39661
140	50	40	3	39662
160	55	40	3	39663
180	60	50	3	39664
200	65	50	3	39665
225	70	50	3.5	39666
250	75	50	4	39667
280	85	50	4	39668

Edition 2023 • Subject to alteration • Copyright by COLASIT AG Spiez

COLASIT AG

Plastic construction • Faulenbachweg 63 • CH-3700 Spiez
Phone +41 (0)33 655 61 61 • ventilations@colasit.com

www.colasit.com

Competence in plastics. Worldwide.

