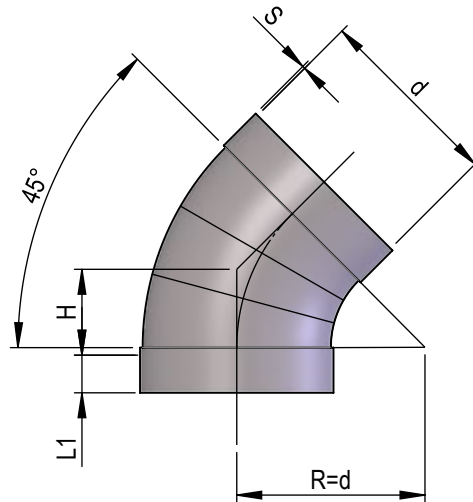


# Ventilation pipe, moulded parts round

## Pipe bends 45° with sockets

Dimension drawing  
Material  
Operating pressure

1031872  
PPs  
+/- 1500 Pa, 40°C



NG	H	L1	s	Item No.
50	30	25	3	32806
63	32	25	3	15150
75	35	35	3	12367
90	40	35	3	12368
110	55	40	3	15151
125	60	40	3	12355
140	70	40	3	12356
160	75	40	3	12357
180	85	50	3	12358
200	95	50	3	12359
225	105	50	3.5	12360
250	115	50	3.5	12361
280	125	50	4	12362
315	140	50	5	12363
355	160	50	5	12364
400	175	60	6	12365
450	200	60	6	15152
500	215	60	6	15153

Edition 2023 • Subject to alteration • Copyright by COLASIT AG Spiez

### COLASIT AG

Plastic construction • Faulenbachweg 63 • CH-3700 Spiez  
Phone +41 (0)33 655 61 61 • ventilations@colasit.com

www.colasit.com

Competence in plastics. Worldwide.

