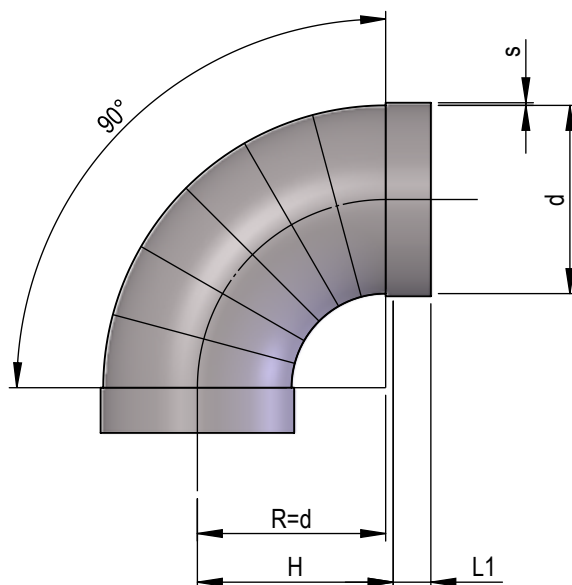


Ventilation pipe, moulded parts round

Pipe bends 90° with sockets

Dimension drawing
Material
Operating pressure

1024356
PPs
+/- 1500 Pa, 40°C



NG	H	L1	s	Item No.
50	55	25	3	32028
63	70	25	3	15139
75	80	35	3	12369
90	95	35	3	12366
110	120	40	3	12342
125	135	40	3	12343
140	150	40	3	12344
160	170	40	3	12345
180	190	50	3	12346
200	210	50	3	12347
225	235	50	3.5	12348
250	260	50	3.5	12349
280	290	50	4	12350
315	325	50	5	12351
355	365	50	5	12352
400	410	60	6	12353
450	460	60	6	12354
500	510	60	6	15140

Edition 2023 • Subject to alteration • Copyright by COLASIT AG Spiez

COLASIT AG

Plastic construction • Faulenbachweg 63 • CH-3700 Spiez
Phone +41 (0)33 655 61 61 • ventilations@colasit.com

www.colasit.com

Competence in plastics. Worldwide.

