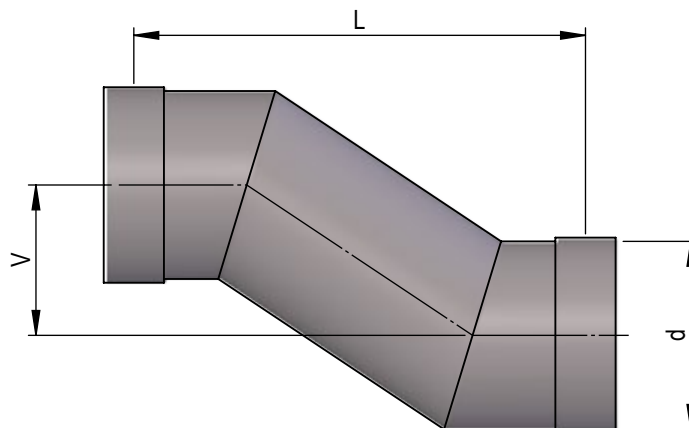


Ventilation pipe, moulded parts round

Pipe storeys

Dimension drawing
Material
Operating pressure

1033064
PPs
+/- 1500 Pa, 40°C



| D | Pipe dimension | Socket dimension |
|------|----------------|------------------|
| | Item No. | |
| 50 | 38859 | |
| 63 | 23401 | |
| 75 | 23402 | |
| 90 | 23403 | |
| 110 | 23404 | |
| 125 | 23405 | |
| 140 | 23406 | |
| 160 | 23351 | |
| 180 | 23407 | NA* |
| 200 | 23408 | |
| 225 | 23409 | |
| 250 | 23410 | |
| 280 | 23411 | |
| 315 | 23412 | |
| 355 | 23413 | |
| 400 | 23414 | |
| 450 | 23415 | |
| 500 | 23416 | |
| 560 | 23417 | 38727 |
| 630 | 23418 | 38728 |
| 710 | 23419 | 38729 |
| 800 | 23420 | 38730 |
| 900 | 23421 | 38731 |
| 1000 | 23422 | 38732 |
| 1120 | 23423 | 38733 |
| 1250 | 23424 | 38726 |

Edition 2023 • Subject to alteration • Copyright by COLASIT AG Spiez

COLASIT AG

Plastic construction • Faulenbachweg 63 • CH-3700 Spiez
Phone +41 (0)33 655 61 61 • ventilations@colasit.com

www.colasit.com

Competence in plastics. Worldwide.

