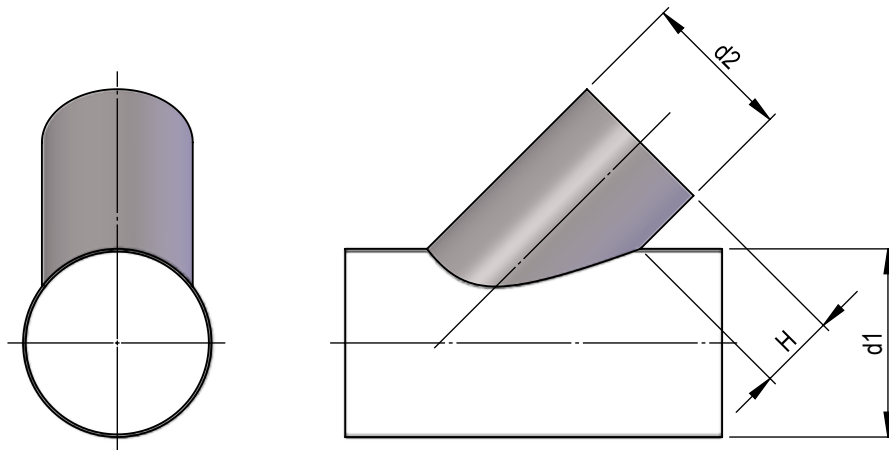


Ventilation pipe, moulded parts round

Saddle pipe 45°

Dimension drawing
Material
Operating pressure

1024778
PPs
+/- 1500 Pa, 40°C



NG1	NG2	H	Item No.
50	≤50	100	38861
63	≤63	100	38862
75	≤75	100	38863
90	≤90	100	38864
110	≤110	100	38865
125	≤125	100	38866
140	≤140	100	38867
160	≤160	100	38868
180	≤180	100	38869
200	≤200	100	38870
225	≤225	100	38871
250	≤250	100	38872
280	≤280	100	38873
315	≤315	100	38874
355	≤355	100	38875
400	≤400	100	38876
450	≤450	100	38877
500	≤500	100	38878
560	≤560	100	38879
630	≤630	100	38880
710	≤710	100	38881
800	≤800	100	38882
900	≤900	100	38883
1000	≤1000	100	38884
1120	≤1120	100	38885
1250	≤1250	100	38886

Edition 2023 • Subject to alteration • Copyright by COLASIT AG Spiez

COLASIT AG

Plastic construction • Faulenbachweg 63 • CH-3700 Spiez
Phone +41 (0)33 655 61 61 • ventilations@colasit.com

www.colasit.com

Competence in plastics. Worldwide.

