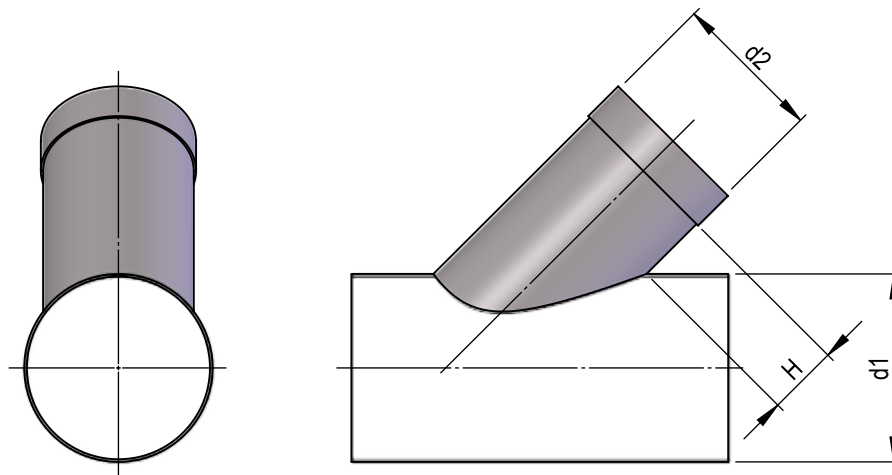


Ventilation pipe, moulded parts round

Saddle pipe 45° with sockets

Dimension drawing
Material
Operating pressure

1032135
PPs
+/- 1500 Pa, 40°C



NG1	NG2	H	Item No.
50	≤50	100	39746
63	≤63	100	39747
75	≤75	100	39748
90	≤90	100	39749
110	≤110	100	39750
125	≤125	100	39751
140	≤140	100	39752
160	≤160	100	39771
180	≤180	100	39753
200	≤200	100	39754
225	≤225	100	39755
250	≤250	100	39756
280	≤280	100	39757
315	≤315	100	39758
355	≤355	100	39759
400	≤400	100	39760
450	≤450	100	39761
500	≤500	100	39762
560	≤560	100	39763
630	≤630	100	39764
710	≤710	100	39765
800	≤800	100	39766
900	≤900	100	39767
1000	≤1000	100	39768
1120	≤1120	100	39769
1250	≤1250	100	39770

Edition 2023 • Subject to alteration • Copyright by COLASIT AG Spiez

COLASIT AG

Plastic construction • Faulenbachweg 63 • CH-3700 Spiez
Phone +41 (0)33 655 61 61 • ventilations@colasit.com

www.colasit.com

Competence in plastics. Worldwide.

