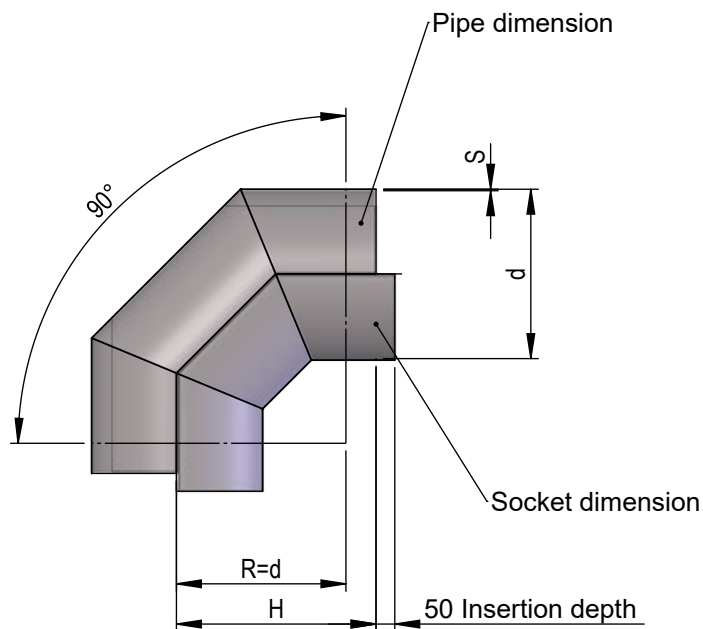


Ventilation pipe, moulded parts round

Segmental bend 90°

Dimension drawing
Material
Operating pressure

1024355
PPs
+/- 1500 Pa, 40°C



| NG | Pipe dimension | | Socket dimension | | |
|------|----------------|----------|------------------|----------|---|
| | H | Item No. | H | Item No. | s |
| 560 | 640 | 20055 | 690 | 20063 | 5 |
| 630 | 710 | 20056 | 760 | 20064 | 5 |
| 710 | 790 | 20057 | 840 | 20065 | 5 |
| 800 | 880 | 20058 | 930 | 20066 | 6 |
| 900 | 980 | 20059 | 1030 | 20067 | 6 |
| 1000 | 1080 | 20060 | 1130 | 20068 | 8 |
| 1120 | 1200 | 20061 | 1250 | 20069 | 8 |
| 1250 | 1330 | 20062 | 1380 | 20070 | 8 |

Edition 2023 • Subject to alteration • Copyright by COLASIT AG Spiez

COLASIT AG

Plastic construction • Faulenbachweg 63 • CH-3700 Spiez
Phone +41 (0)33 655 61 61 • ventilations@colasit.com

www.colasit.com

Competence in plastics. Worldwide.

