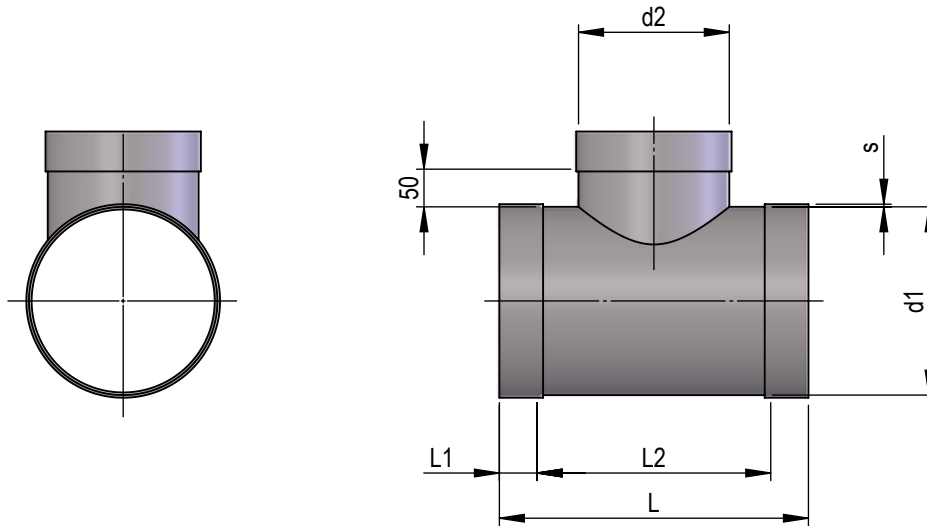


Tuyau de ventilation, pièces de forme rondes

Té 90° avec manchons

Feuille de dimensions
Matériau
Pression de service

1024682
PPs
+/- 1500 Pa, 40°C



NG1	NG2	L	L1	L2	H	s
63	50	L2+2xL1	25	NG2+2x100	45	3
75	50-63	L2+2xL1	35	NG2+2x100	55	3
90	50-75	L2+2xL1	35	NG2+2x100	60	3
110	50-90	L2+2xL1	40	NG2+2x100	70	3.5
125	50-110	L2+2xL1	50	NG2+2x100	85	3
140	50-125	L2+2xL1	40	NG2+2x100	95	3
160	50-140	L2+2xL1	40	NG2+2x100	100	4.5
180	50-160	L2+2xL1	50	NG2+2x100	137.5	3
200	75-180	L2+2xL1	50	NG2+2x100	120	5
225	90-200	L2+2xL1	50	NG2+2x100	160	3.5
250	110-225	L2+2xL1	50	NG2+2x100	155	3.5
280	125-250	L2+2xL1	50	NG2+2x100	180	4
315	140-280	L2+2xL1	50	NG2+2x100	210	5
355	160-315	L2+2xL1	50	NG2+2x100	235	5
400	180-355	L2+2xL1	60	NG2+2x100	245	6
450	200-400	L2+2xL1	60	NG2+2x100	250	7
500	225-450	L2+2xL1	60	NG2+2x100	305	8
560	250-500	L2+2xL1	50	NG2+2x100	370	8
630	280-560	L2+2xL1	50	NG2+2x100	400	10
710	315-630	L2+2xL1	50	NG2+2x100	450	12
800	355-710	L2+2xL1	50	NG2+2x100	500	6
900	400-800	L2+2xL1	50	NG2+2x100	550	6
1000	450-900	L2+2xL1	50	NG2+2x100	600	6
1120	500-1000	L2+2xL1	50	NG2+2x100	700	8
1250	630-1120	L2+2xL1	50	NG2+2x100	750	8

Edition 2023 • sous réserve de modification technique • Copyright by COLASIT AG Spiez

COLASIT AG

Constructions en plastique • Faulenbachweg 63 • CH-3700 Spiez
Tél. +41 (0)33 655 61 61 • ventilations@colasit.com

www.colasit.com

Competence in plastics. Worldwide.

