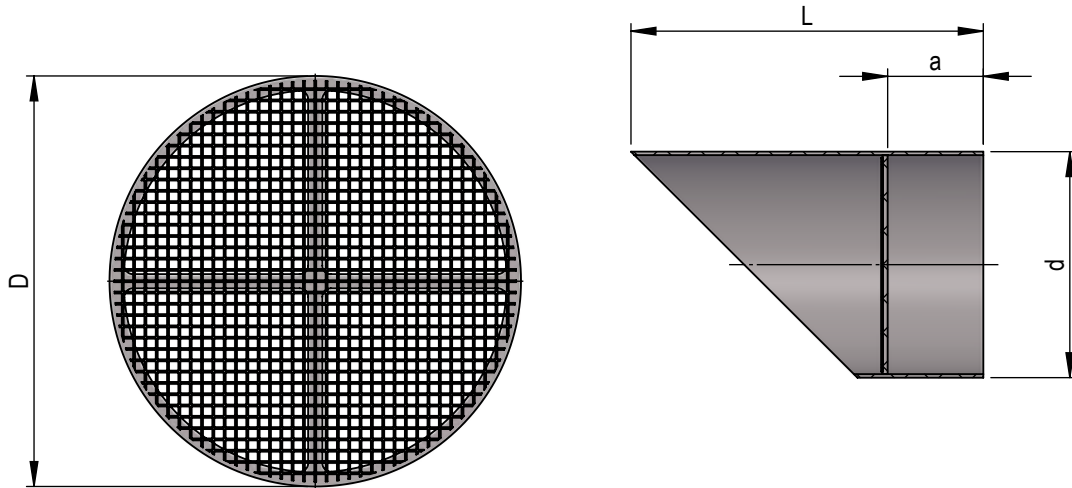


Mesh grille round NG 450-1250

Dimension drawing
Material

1031985
PPs



NG	D	a	L	Item no.	Item No. with pipe sockets
d450	436	200	680	20231	20281
d500	482	200	730	20232	20282
d560	544	200	790	20233	20283
d630	610	200	860	20234	20284
d710	686	200	940	20235	20285
d800	788	200	1030	20236	20286
d900	888	200	1130	20237	20287
d1000	984	200	1230		
d1120	1104	200	1350		
d1250	1234	200	1480		

Square perforation 10mm (IP20)
Division 12mm
Free cross section 69.4%