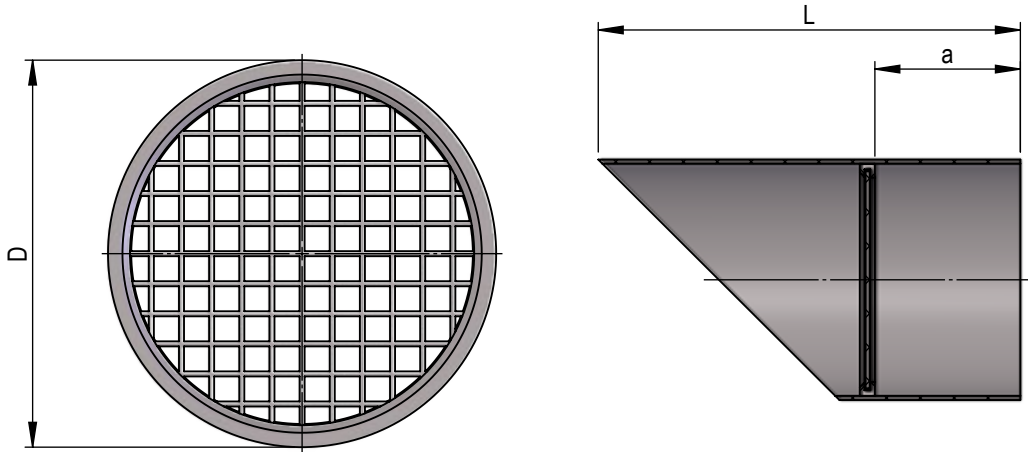


Mesh grille NG 63-400

Dimension drawing
Material

1027879
PPs



NG	D	a	L	Item No.	Item No. with pipe sockets
d63	58	100	183	20216	20266
d75	70	100	195	20217	20267
d90	85	100	210	20218	20268
d110	105	100	230	20219	20269
d125	120	100	245	20220	20270
d140	134.5	100	260	20221	20271
d160	154.5	100	280	20222	20272
d180	175	100	300	20223	20273
d200	195	100	320	20224	20274
d225	219	100	345	20225	20275
d250	244	100	370	20226	20276
d280	273	100	400	20227	20277
d315	306	100	435	20228	20278
d355	346	100	475	20229	20279
d400	389	100	520	20230	20280

Square perforation 10mm (IP20)
Division 12mm
Free cross section 69.4%