

Muffenflansch

Massbild

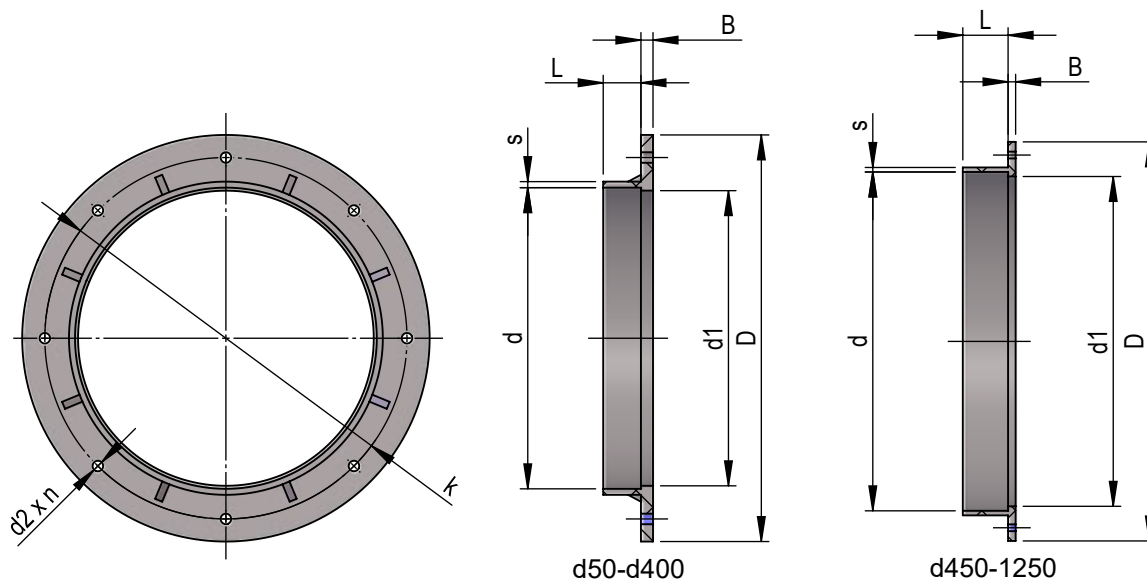
Material

Betriebsdruck

1024895

PPs

+/- 1500 Pa, 40°C



| NG | D | B | s | k | d1 | d2 | n | Art.-Nr. |
|------|------|----|-----|------|------|----|----|----------|
| 50 | 100 | 8 | 3 | 80 | 46 | 7 | 4 | 32893 |
| 63 | 120 | 8 | 3 | 100 | 59 | 7 | 4 | 38708 |
| 75 | 135 | 8 | 3 | 115 | 71 | 7 | 4 | 32895 |
| 90 | 150 | 8 | 3 | 130 | 86 | 7 | 4 | 32896 |
| 110 | 170 | 8 | 4 | 150 | 106 | 7 | 4 | 18353 |
| 125 | 185 | 8 | 4 | 165 | 121 | 7 | 8 | 18354 |
| 140 | 200 | 8 | 4 | 175 | 136 | 7 | 8 | 18355 |
| 160 | 230 | 8 | 4 | 200 | 156 | 7 | 8 | 18301 |
| 180 | 250 | 8 | 4 | 225 | 176 | 7 | 8 | 18356 |
| 200 | 270 | 8 | 4 | 240 | 196 | 7 | 8 | 18302 |
| 225 | 295 | 8 | 4 | 265 | 221 | 7 | 8 | 18357 |
| 250 | 320 | 10 | 4 | 290 | 246 | 7 | 12 | 17206 |
| 280 | 360 | 10 | 4 | 325 | 274 | 9 | 12 | 18358 |
| 315 | 395 | 10 | 4.5 | 350 | 309 | 9 | 12 | 18359 |
| 355 | 435 | 10 | 6 | 400 | 349 | 9 | 12 | 18360 |
| 400 | 480 | 10 | 6.5 | 445 | 394 | 9 | 16 | 17205 |
| 450 | 530 | 10 | 6 | 495 | 438 | 9 | 16 | 32897 |
| 500 | 580 | 10 | 6 | 545 | 488 | 9 | 20 | 32898 |
| 560 | 700 | 12 | 6 | 660 | 548 | 11 | 24 | 32899 |
| 630 | 730 | 12 | 6 | 700 | 618 | 11 | 24 | 32901 |
| 710 | 810 | 12 | 8 | 770 | 684 | 11 | 24 | 32903 |
| 800 | 900 | 12 | 8 | 860 | 784 | 11 | 28 | 32904 |
| 900 | 1000 | 12 | 8 | 960 | 884 | 11 | 32 | 32905 |
| 1000 | 1100 | 12 | 10 | 1060 | 980 | 11 | 32 | 32906 |
| 1250 | 1350 | 15 | 10 | 1310 | 1230 | 11 | 32 | 32907 |

Ausgabe 2023 • Änderungen vorbehalten • Copyright by COLASIT AG Spiez

COLASIT AG

Kunststoffbau • Faulenbachweg 63 • CH-3700 Spiez

Tel. +41 (0)33 655 61 61 • lueftungen@colasit.com

www.colasit.com

Competence in plastics. Worldwide.

