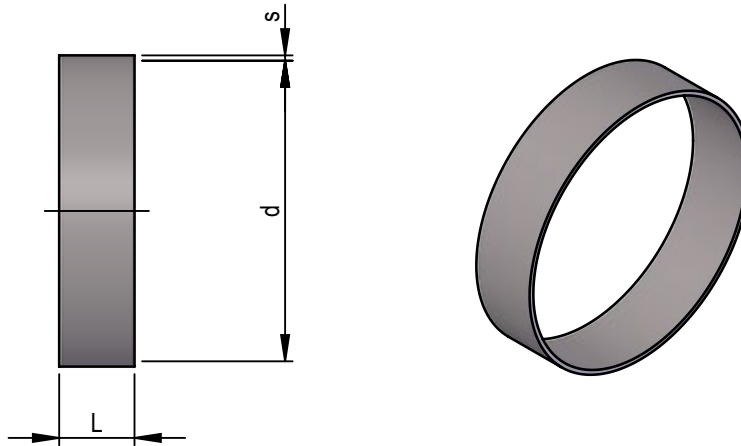


Sliding socket round

Dimension drawing 1013318
 Material PPs
 Operating pressure ventilation pipe +/- 1500 Pa, 40°C



NG	L	S	Item No.
50	25	3	38795
63	25	3	19911
75	35	3	19912
90	35	3	19913
110	40	3	19910
125	40	3	19914
140	40	3	19915
160	40	3	19916
180	40	3	19917
200	50	3	19918
225	50	3.5	19919
250	50	3.5	19920
280	50	4	19921
315	50	5	19036
355	50	5	19037
400	60	6	19038
450	60	6	19039
500	60	6	19040
560	80	4	19041
630	80	5	19042
710	80	5	19043
800	80	6	19044
900	80	6	19045
1000	80	8	19046
1120	80	8	19047
1250	80	8	19048

Edition 2023 • Subject to alteration • Copyright by COLASIT AG Spiez

COLASIT AG
 Plastic construction • Faulenbachweg 63 • CH-3700 Spiez
 Phone +41 (0)33 655 61 61 • ventilations@colasit.com
www.colasit.com

Competence in plastics. Worldwide.

