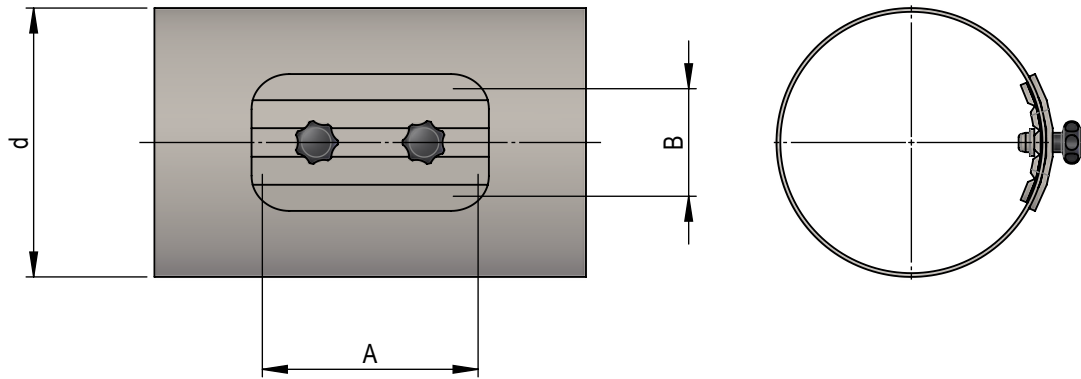


Fittings round

Inspection opening

Dimension drawing 1032119
 Material PPs
 Operating pressure +/-1500 Pa, 40°C



NG	A	B	Item No.
110	180	80	39695
125	180	80	39696
160	200	100	39697
180	200	100	39698
200	200	100	39699
225	200	100	39700
250	200	100	39701
280	200	100	39702
315	200	100	39703
355	300	200	39704
400	300	200	39705
450	300	200	39706
500	300	200	39707
560	400	300	39708
630	400	300	39709
710	400	300	39710
800	400	300	39711
900	400	300	39712

Edition 2023 • Subject to alteration • Copyright by COLASIT AG Spiez

COLASIT AG
 Plastic construction • Faulenbachweg 63 • CH-3700 Spiez
 Phone +41 (0)33 655 61 61 • ventilations@colasit.com
www.colasit.com

Competence in plastics. Worldwide.

