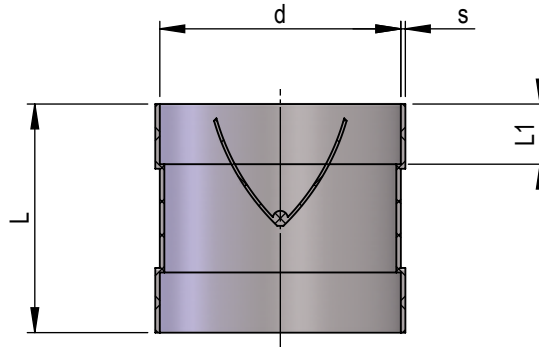


Check valve with sockets

Dimension drawing
Material
Operating pressure

1025049
PPs
+/- 1500 Pa, 40°C



For vertical installation.

d	L	L1	S	Item No.
110	155	40	3	38380
125	150	40	3	38381
140	150	40	3	38382
160	152	40	3	38383
180	170	50	3	38384
200	170	50	33	38385
225	170	50	3.5	38386
250	170	50	3.5	38387
280	170	50	4	38388
315	170	50	5	38389
355	175	50	5	38390
400	200	60	6	38391