

Overview

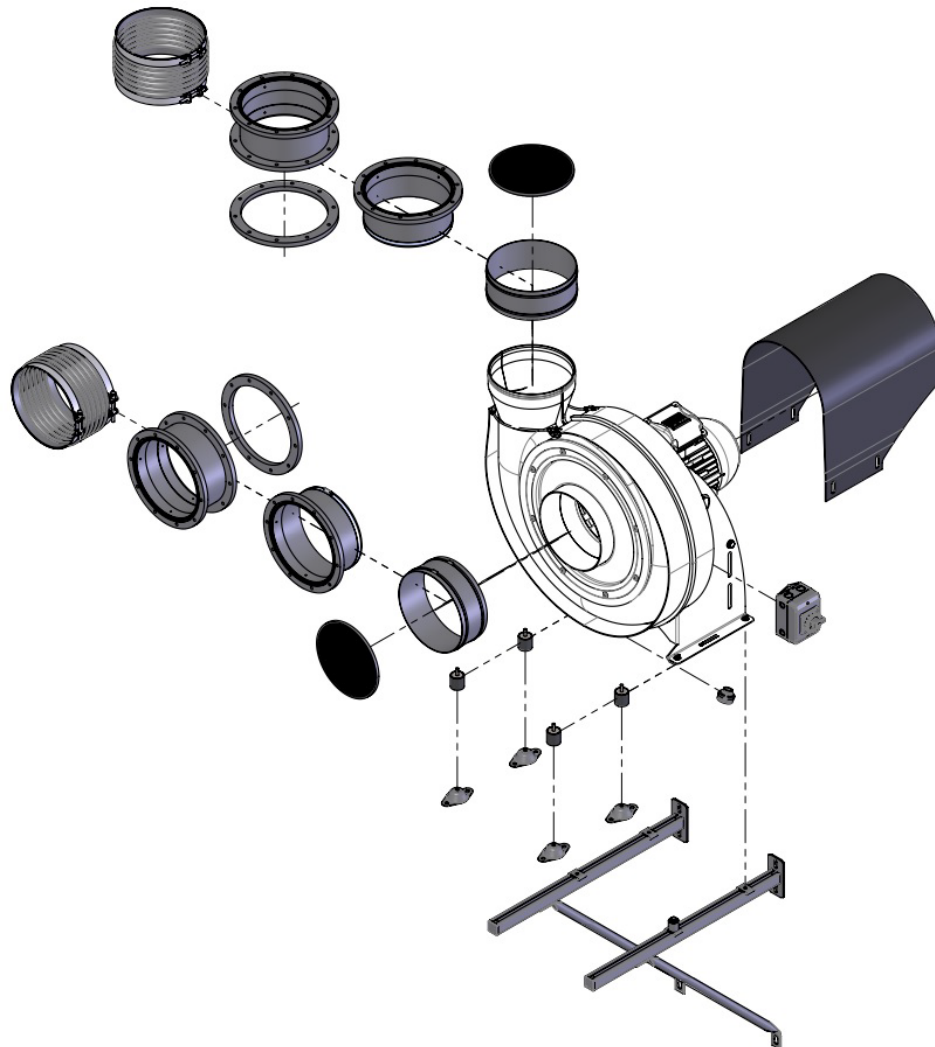


Table of contents

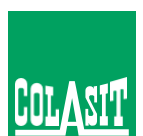
Sleeve round with hose clamps *	2
Round sleeve with flange on one side and hose clamp *	3
Round sleeve with flange on both sides *	4
Flange CN *	5
Wellflex sleeve with hose clamps *	6
Wellflex sleeve round with flange on one side *	7
Wellflex sleeve round with flange on both sides *	8
Vibration absorber / bell element for floor/ceiling mounting *	9
Protective grid (mesh grille)	10
Casing drain	11
Hub seals	12
Motor cover	14
Wall brackets	15
Frequency converter for speed control	16
Isolation switch	16

*Required selection for operation

Edition 2024 • Subject to alteration • Copyright by COLASIT AG Spiez

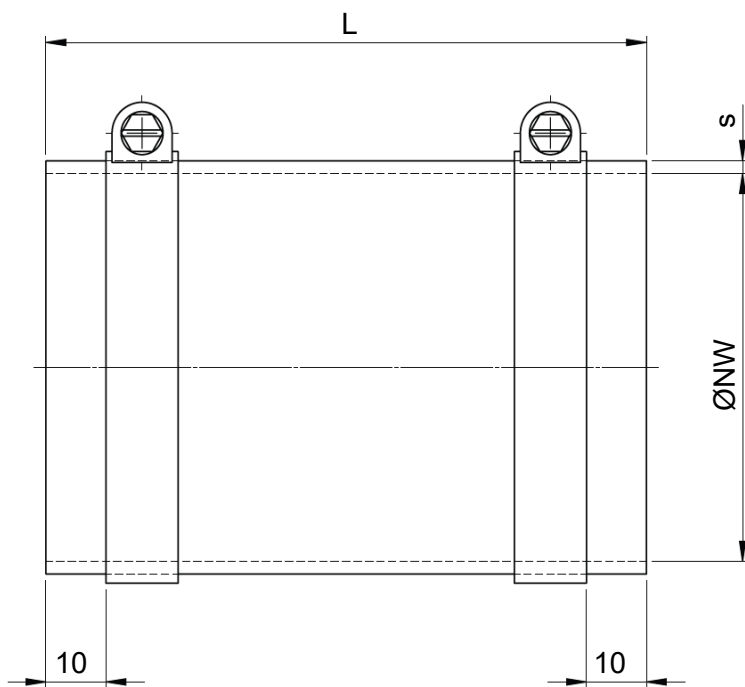
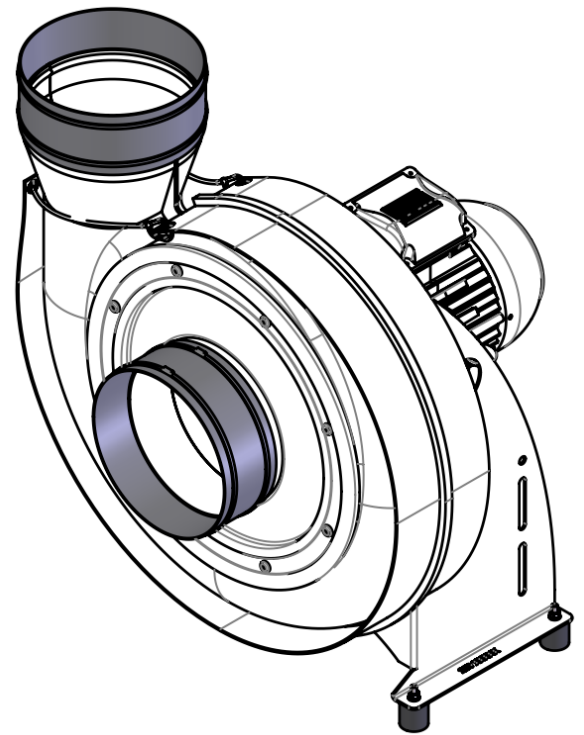
COLASIT AG
 Plastic construction • Faulenbachweg 63 • CH-3700 Spiez
 Phone +41 (0)33 655 61 61 • fans@colasit.com
www.colasit.com

Competence in plastics. Worldwide.



Sleeve round with hose clamps *

- Material Soft PVC (cuff)
Stainless steel (hose clamp)

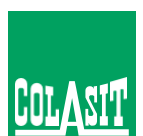


Ø NW	L	s
125, 160, 200, 250, 315	100	2
400	125	3

Edition 2024 • Subject to alteration • Copyright by COLASIT AG Spiez

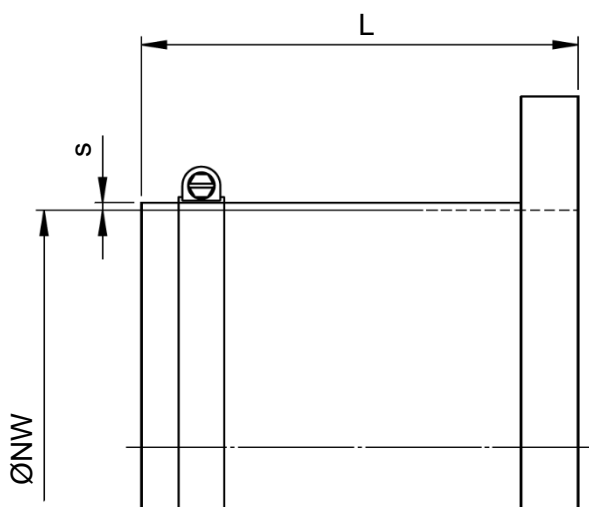
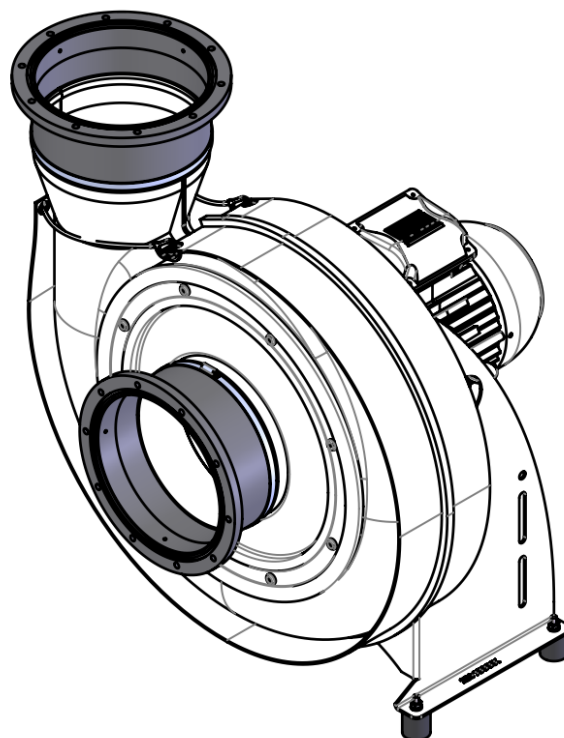
COLASIT AG
 Plastic construction • Faulenbachweg 63 • CH-3700 Spiez
 Phone +41 (0)33 655 61 61 • fans@colasit.com
www.colasit.com

Competence in plastics. Worldwide.



Round sleeve with flange on one side and hose clamp *

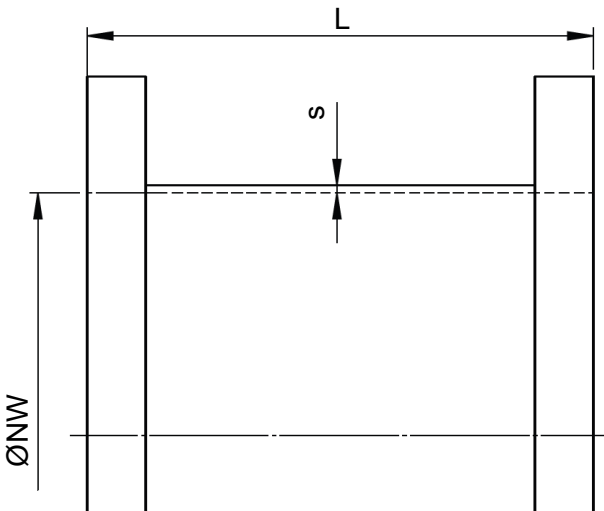
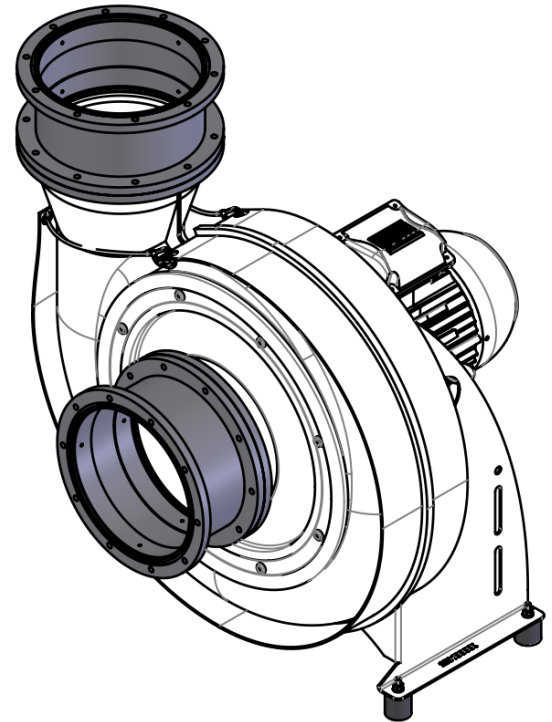
- Material PVC (flange)
Soft PVC (cuff)
Stainless steel (hose clamp)
- Application in combination with "Flange CN"



$\varnothing NW$	L	s
125, 160, 200, 250, 315	115	2
400	140	3

Round sleeve with flange on both sides *

- Material PVC (flange)
 Soft PVC (sleeve)
- Application in combination with "Flange CN"

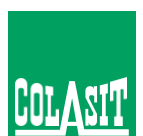


Ø NW	L	s
125, 160, 200, 250, 315	130	2
400	155	3

Edition 2024 • Subject to alteration • Copyright by COLASIT AG Spiez

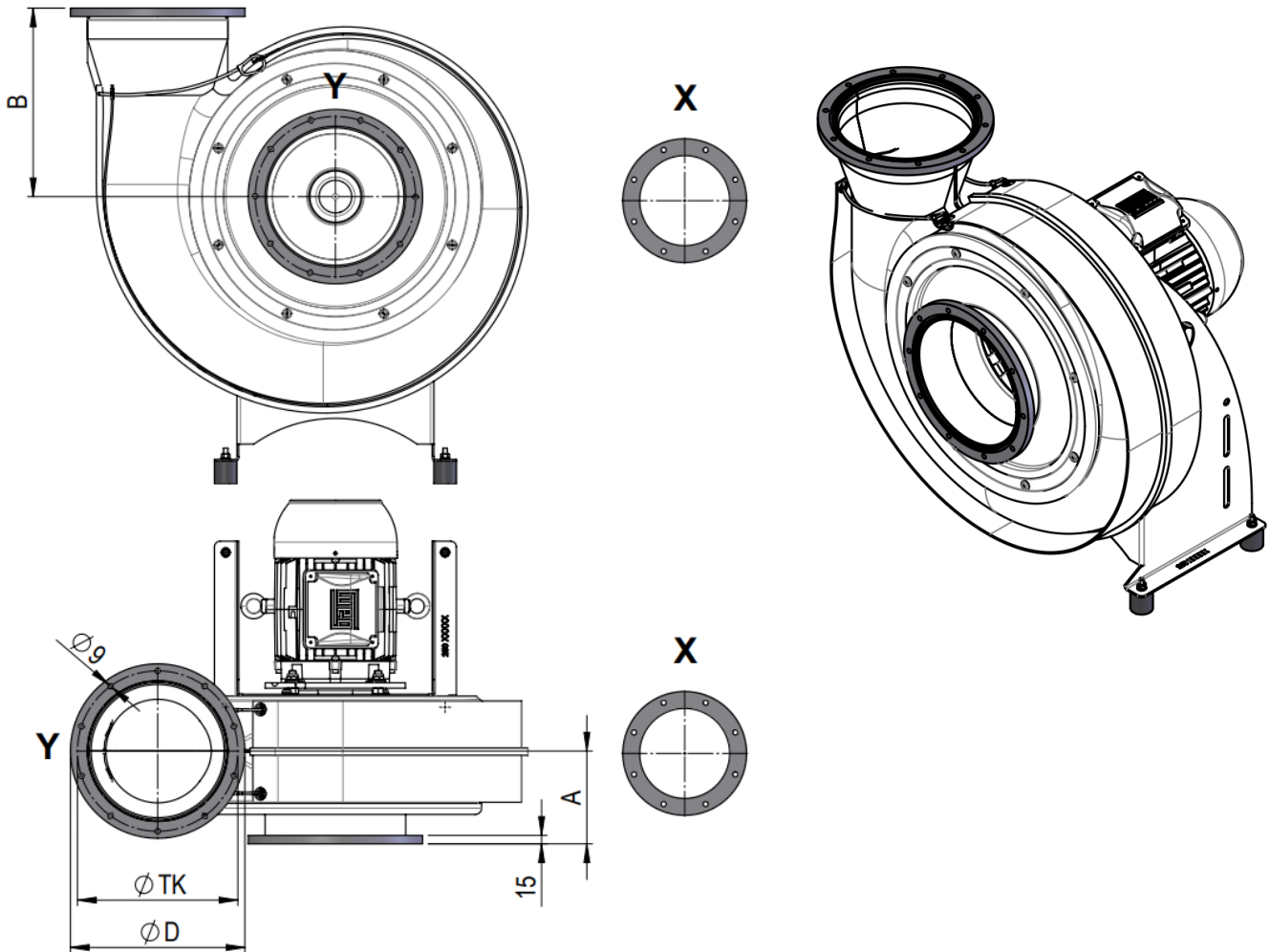
COLASIT AG
 Plastic construction • Faulenbachweg 63 • CH-3700 Spiez
 Phone +41 (0)33 655 61 61 • fans@colasit.com
www.colasit.com

Competence in plastics. Worldwide.



Flange CN *

- Material PE, PPs, PPs-el, PVDF, PVC (same as housing / intake cover plate)



Ø NW	A	B	Ø D	Ø TC	No. Ø9	Hole pattern
125	115	205	185	160	6	Y
160	125	230	220	195	8	X
200	145	280	260	235	10	Y
250	165	335	310	285	10	Y
315	195	405	375	350	12	X
400	224	430	480	445	18	Y

Edition 2024 • Subject to alteration • Copyright by COLASIT AG Spiez

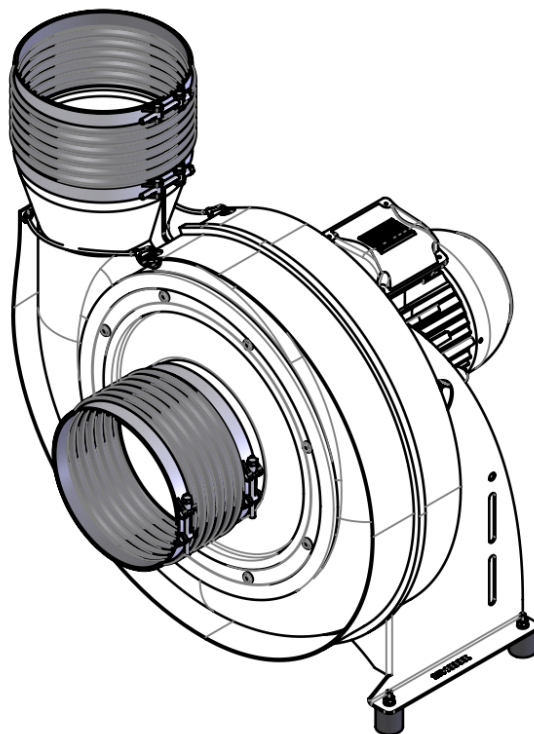
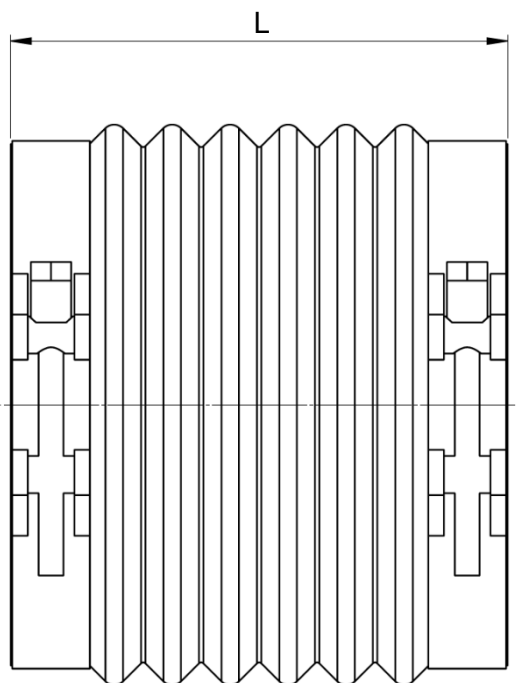
COLASIT AG
 Plastic construction • Faulenbachweg 63 • CH-3700 Spiez
 Phone +41 (0)33 655 61 61 • fans@colasit.com
www.colasit.com

Competence in plastics. Worldwide.



Wellflex sleeve with hose clamps *

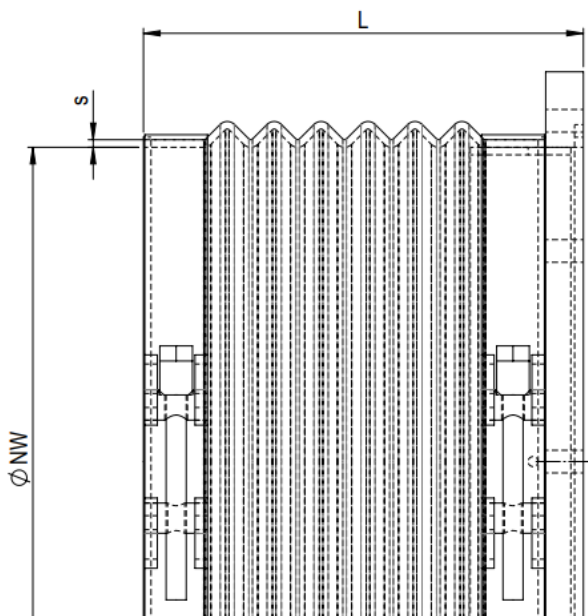
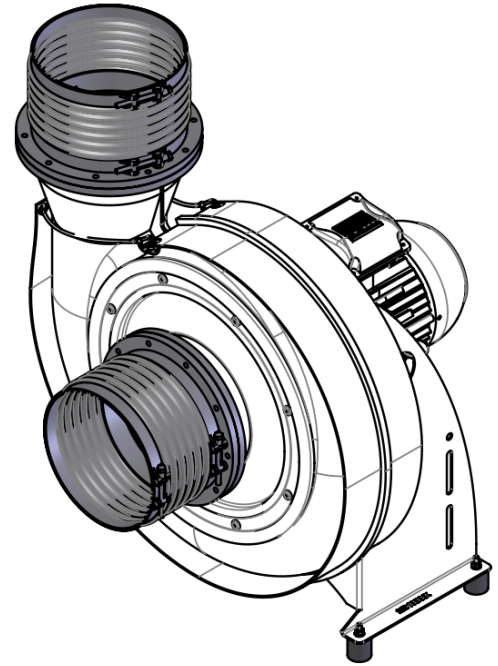
- Material PVC-el (sleeve, electrically conductive)
 Galvanised (hose clamp)
- Application ATEX (Zone 1)



NW Ø	L
125, 160, 200	155
250, 315, 400	160

Wellflex sleeve round with flange on one side *

- Material PVC (flange)
PVC-el (sleeve, electrically dissipative)
galvanised (hose clamp)
- Application ATEX (zone 1)

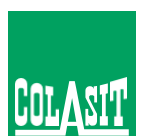


Ø NW	L	s
125, 160, 200 250, 315, 400	175	3

Edition 2024 • Subject to alteration • Copyright by COLASIT AG Spiez

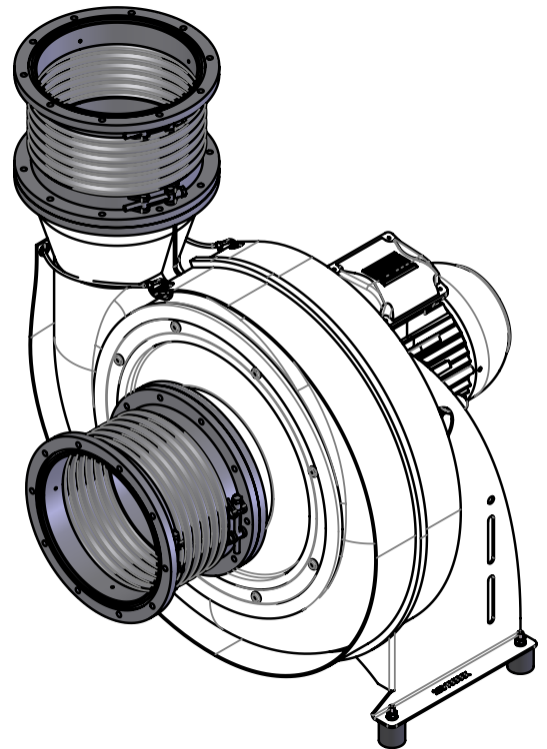
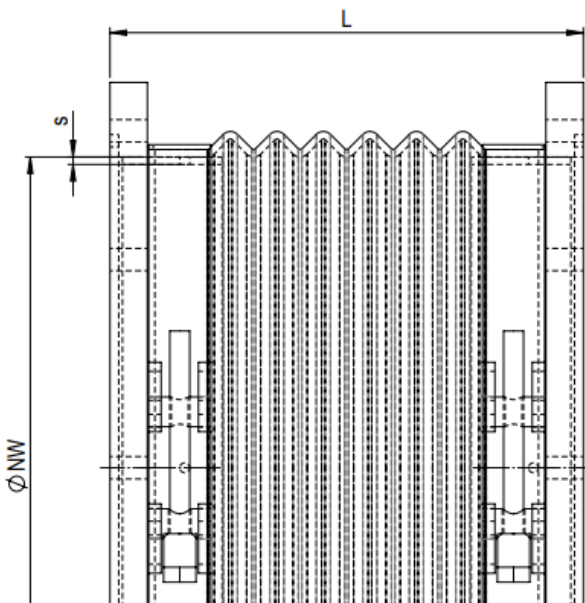
COLASIT AG
 Plastic construction • Faulenbachweg 63 • CH-3700 Spiez
 Phone +41 (0)33 655 61 61 • fans@colasit.com
www.colasit.com

Competence in plastics. Worldwide.



Wellflex sleeve round with flange on both sides *

- Material PVC (flange)
PVC-el (sleeve, electrically dissipative)
galvanised (hose clamp)
- Application in Kombination mit «Flansch CN»
ATEX (zone 1)

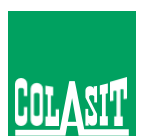


Ø NW	L	s
125, 160, 200, 250, 315, 400	190	3

Edition 2024 • Subject to alteration • Copyright by COLASIT AG Spiez

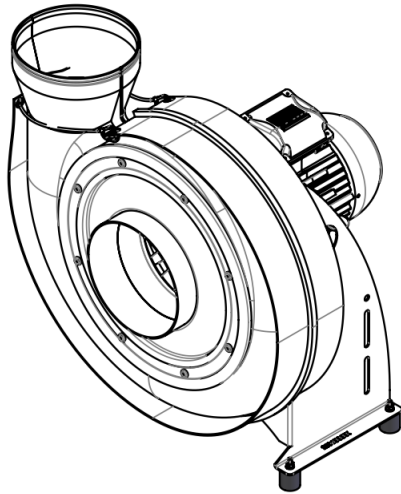
COLASIT AG
 Plastic construction • Faulenbachweg 63 • CH-3700 Spiez
 Phone +41 (0)33 655 61 61 • fans@colasit.com
www.colasit.com

Competence in plastics. Worldwide.

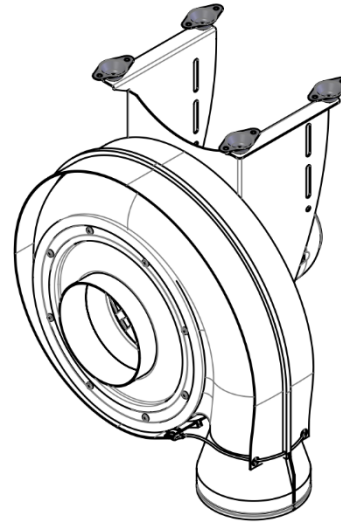


Vibration absorber / bell element for floor/ceiling mounting *

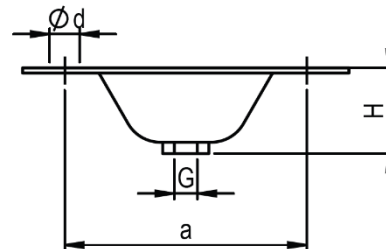
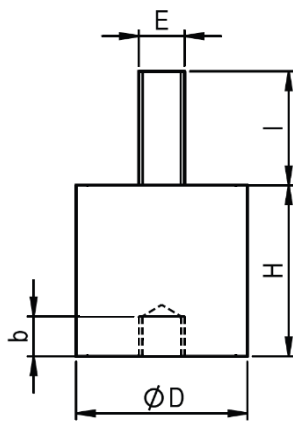
- Material
 - Natural rubber (vibrating element)
 - Galvanised, stainless steel (mounting vibration damper)
 - Galvanised (mounting bell element)



Vibration absorber for floor mounting



Bell element for ceiling mounting



Round buffer Type	Dimensions					Max. Load per pc.
	D	H	E	I	b	
30/30, B	30	30	M8	20	7	50 kg
40/40, B	40	40	M8	23	7	90 kg

Bell element Type	Dimensions				Max. Load per pc.
	H	G	a	d	
M6	33	M6	58	6,5	16 kg
M10	30	M10	85	10,5	50 kg

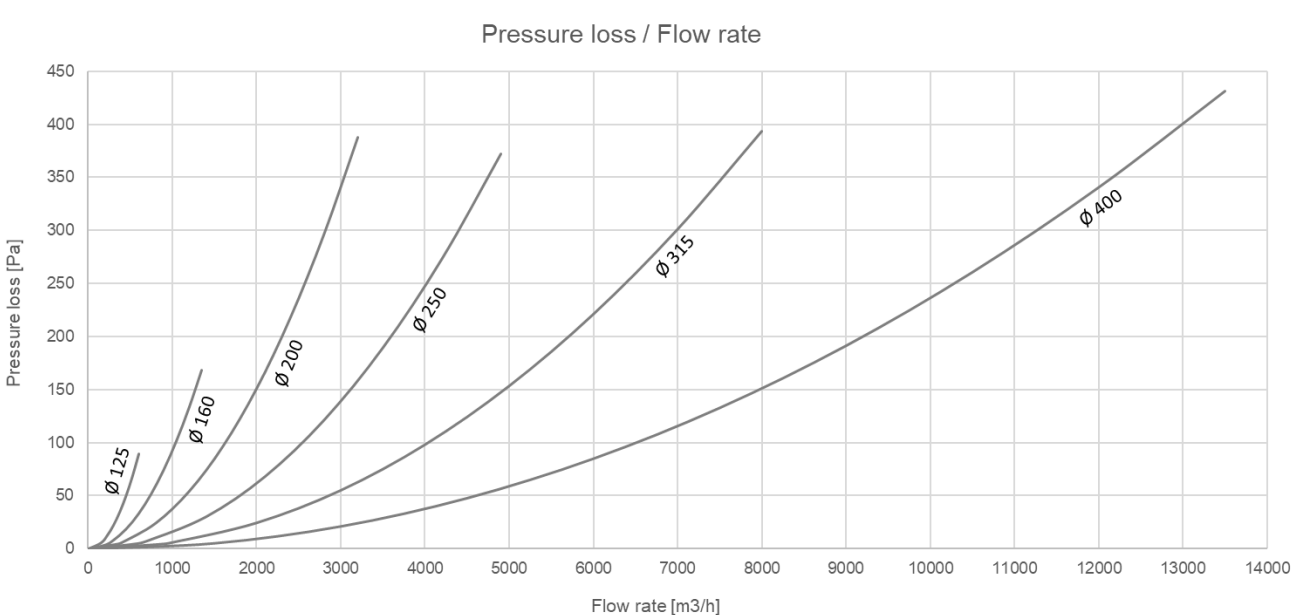
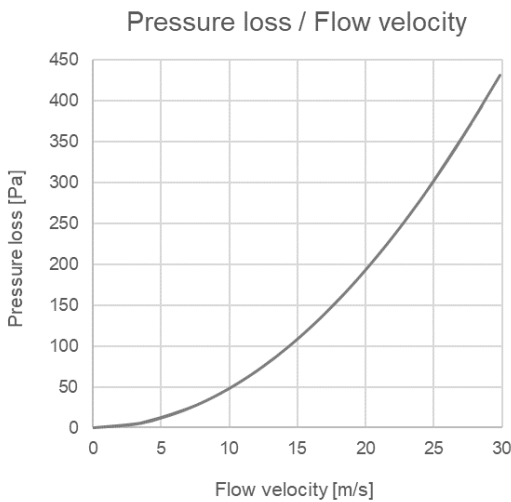
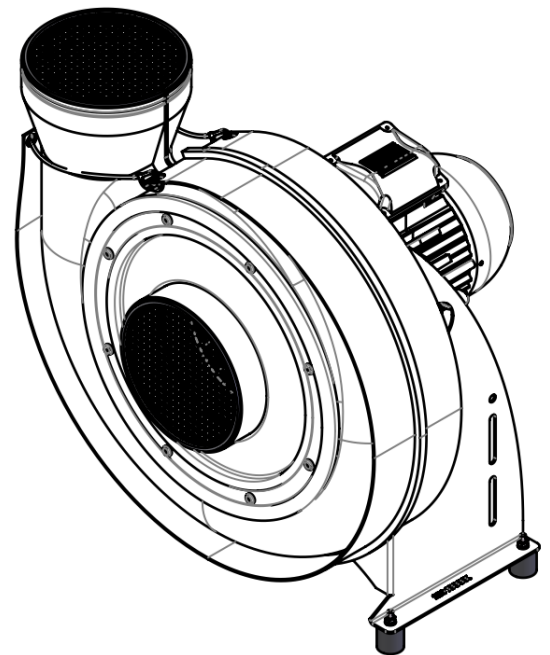
Fan type	Floor mounting	Ceiling mounting	Number of elements
CMVeco 125, 160, 200	30/30, B	M6	4
CMVeco 250, 315, 400	40/40, B	M10	4

Edition 2024 • Subject to alteration • Copyright by COLASIT AG Spiez

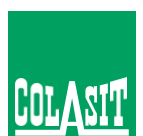


Protective grid (mesh grille)

- Material PE, PPs, PPs-el, PVC (same as housing / intake cover plate)
- Square perforation 10mm (IP20)
- Free cross-section 69.4%
- Mounting welded on
- Application only with free sucking or blowing out required

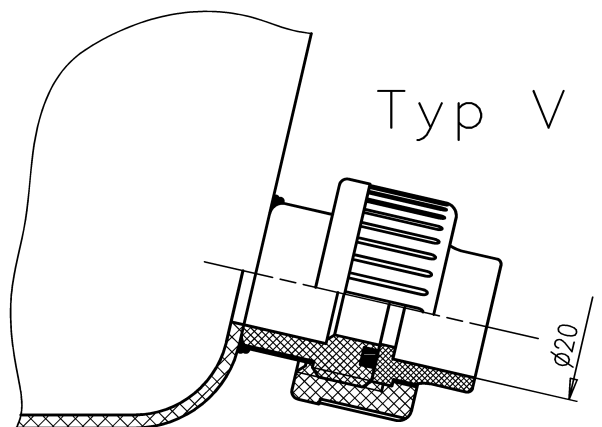
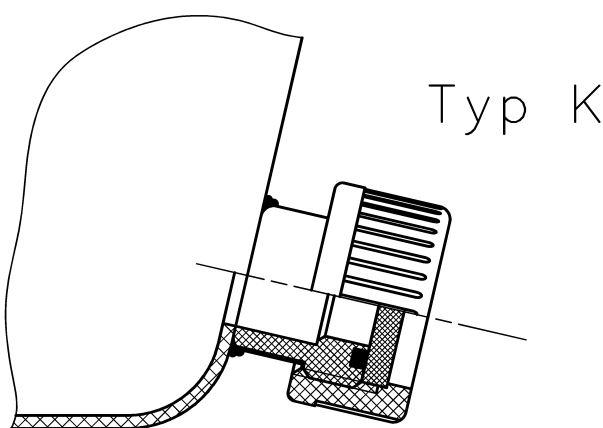
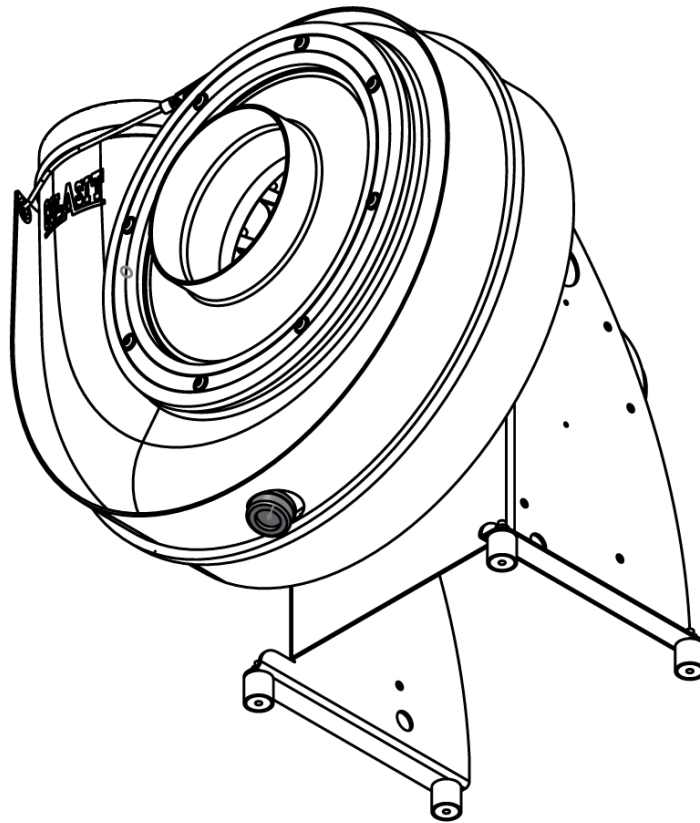


Edition 2024 • Subject to alteration • Copyright by COLASIT AG Spiez



Casing drain

- Material PE, PP, PVDF



Fan type	with cap	with threaded fasteners
CMVeco 125-400	Type K	Type V

Edition 2024 • Subject to alteration • Copyright by COLASIT AG Spiez

COLASIT AG
 Plastic construction • Faulenbachweg 63 • CH-3700 Spiez
 Phone +41 (0)33 655 61 61 • fans@colasit.com
www.colasit.com

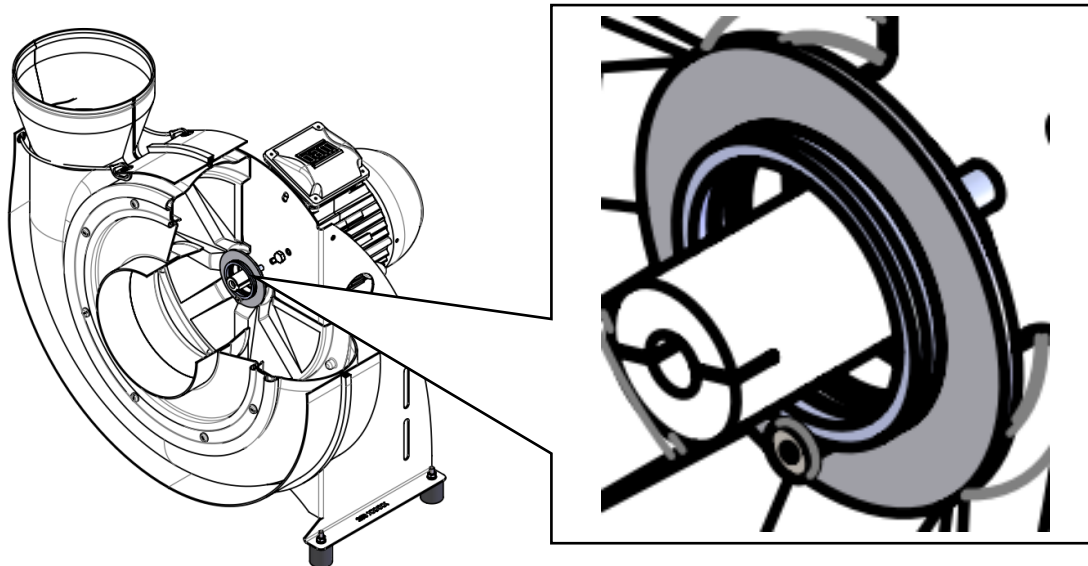
Competence in plastics. Worldwide.



Hub seals

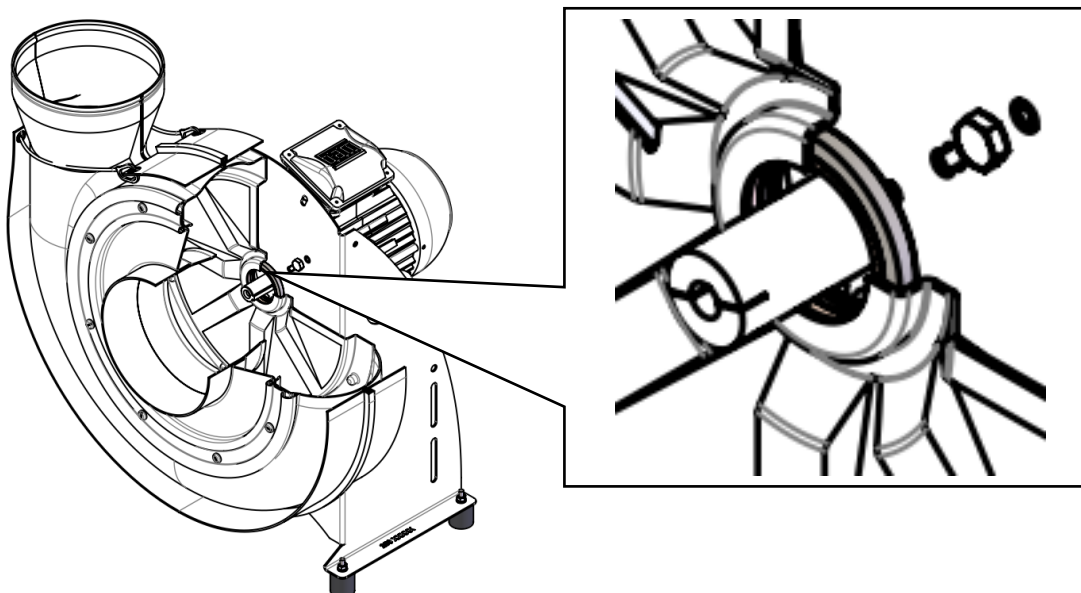
V-ring seal

- Material V4A / FPM



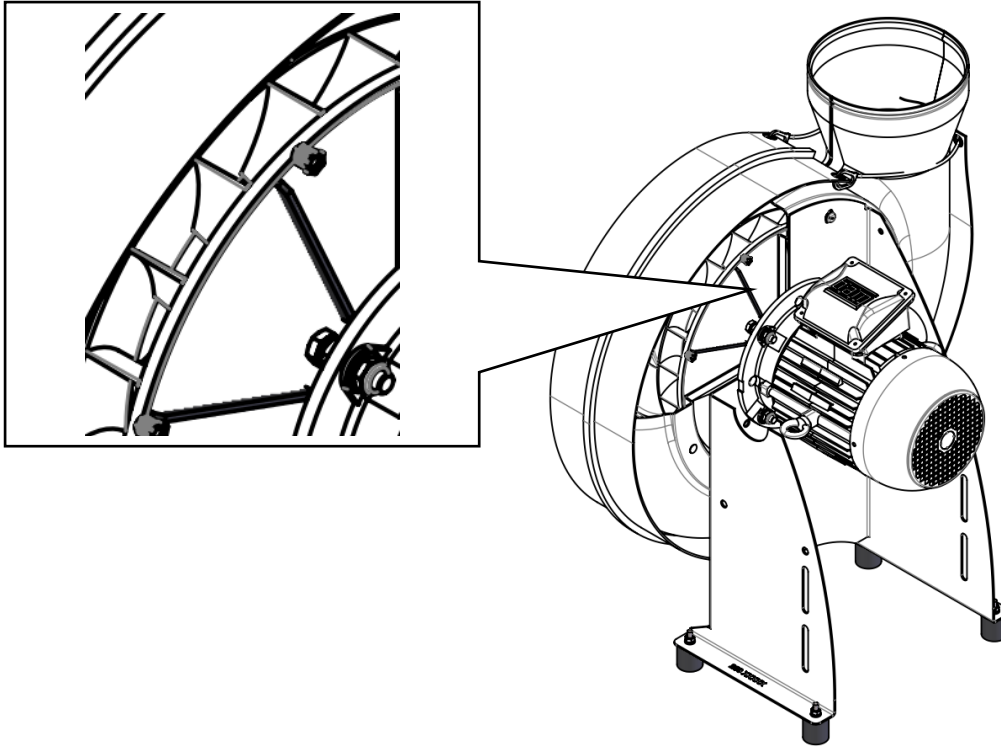
Felt ring seal

- Material PPs, PPs-el, PVDF, felt



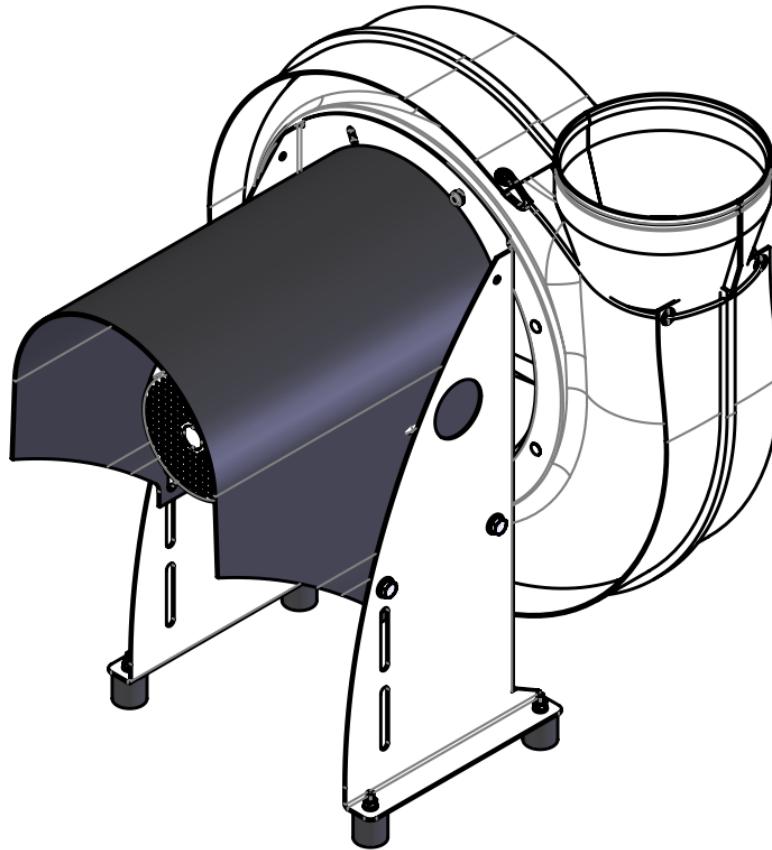
Back plated impeller (negative pressure in the hub area)

- Material PPs, PPs-el, PVDF



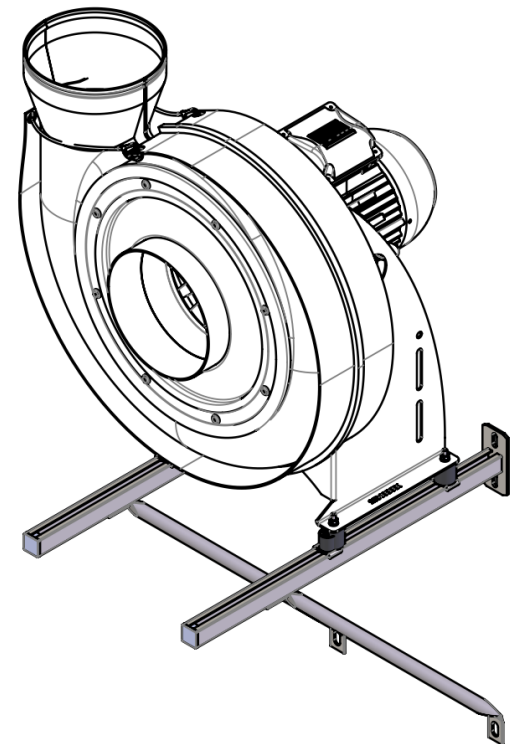
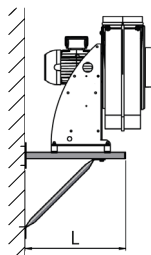
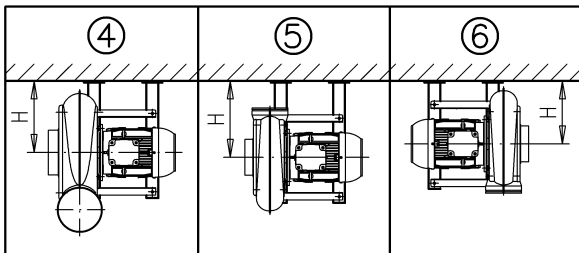
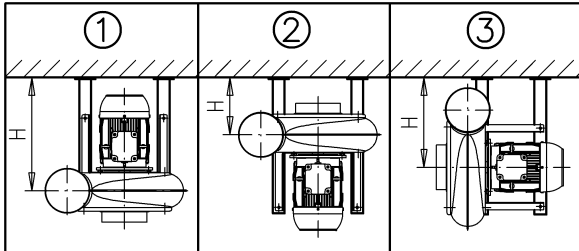
Motor cover

- Material PE, PPs-el (motor cover)
Galvanised, stainless steel (fastening)



Wall brackets

- Material Galvanised, stainless steel

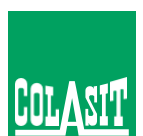


		Mounting positions					
		1	2	3	4	5	6
CMVeco 125	L	500	500	500	500	500	500
	H	480	180	310	270	300	290
CMVeco 160	L	500	500	500	500	500	500
	H	480	180	330	290	300	300
CMVeco 200	L	500	750	750	500	750	750
	H	500	290	470	290	440	440
CMVeco 250	L	750	750	750	750	750	750
	H	690	290	490	420	450	450
CMVeco 315	L	750	750	1000	750	1000	1000
	H	710	280	640	450	580	600
CMVeco 400	L	750	1000	1000	1000	1000	1000
	H	790	400	670	560	580	610

Edition 2024 • Subject to alteration • Copyright by COLASIT AG Spiez

COLASIT AG
 Plastic construction • Faulenbachweg 63 • CH-3700 Spiez
 Phone +41 (0)33 655 61 61 • fans@colasit.com
www.colasit.com

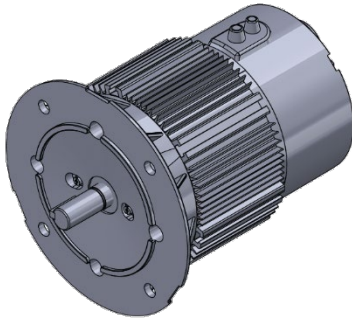
Competence in plastics. Worldwide.



Frequency converter for speed control

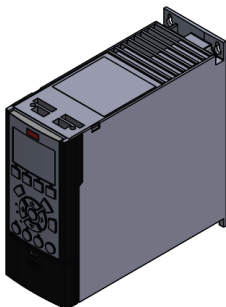
Motor with built-in frequency converter

- Protection class IP55
- Speed adjustment Stepless with external control signal

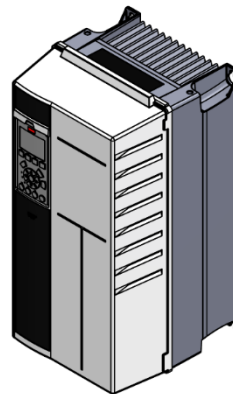


Frequency converter

- Safety class IP20 to IP55
- Speed adjustment Stepless with integrated control panel
Stepless with external control signal



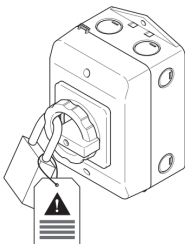
*Frequency converter IP20
for control cabinet installation*



*Frequency converter IP55
for external installation*

Isolation switch

- Protection class IP66
- Revision protection: lockable



Edition 2024 • Subject to alteration • Copyright by COLASIT AG Spiez

