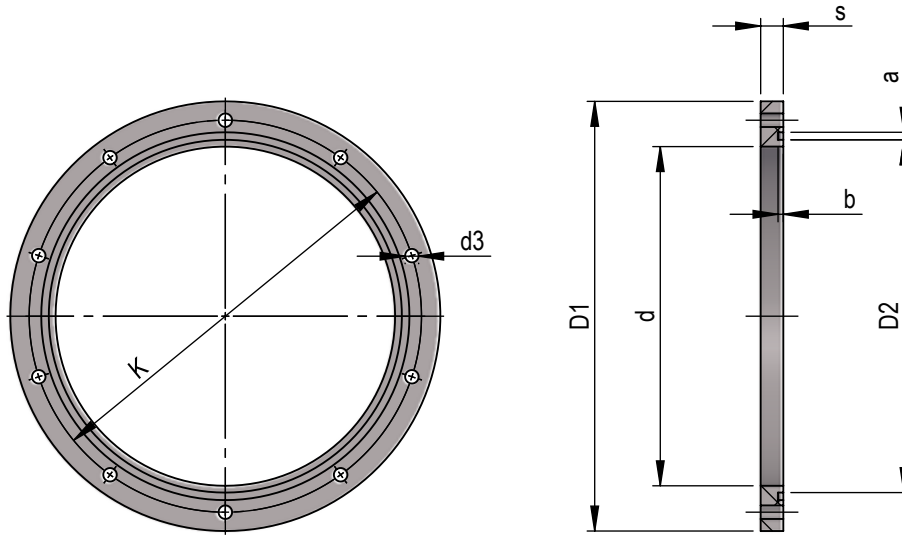


# Connections, accessories round

## Flange CN

Dimension drawing  
Material  
Operating pressure

1002111  
PPs  
+/- 1500 Pa, 40°C



d	D1	S	K	d3	n	D2	a	b	Item No.
63	123	15	95	9	6	72	5	3.5	13560
75	135	15	110	9	6	85	5	3.5	20728
90	150	15	125	9	6	100	5	3.5	13565
110	170	15	145	9	6	120	5	3.5	16758
125	185	15	160	9	6	135	5	3.5	13570
140	200	15	175	9	8	150	5	3.5	16226
160	220	15	195	9	8	170	5	3.5	13573
180	240	15	215	9	8	189	5	3.5	16233
200	260	15	235	9	10	209	5	3.5	13580
225	285	15	260	9	10	234	5	3.5	16238
250	310	15	285	9	10	258	5	3.5	13585
280	340	15	315	9	12	288	5	3.5	16244
315	375	15	350	9	12	323	5	3.5	16248
355	435	15	400	10	16	373	5	3.5	18295
400	480	15	445	10	18	418	5	3.5	16255
450	530	15	495	10	20	468	5	3.5	16257
500	600	20	555	10	22	522	8	6.5	16260
560	660	20	615	10	24	582	8	6.5	16263
630	730	20	685	10	26	652	8	6.5	16266
710	810	20	765	10	28	732	8	6.5	16269
800	900	20	855	10	32	822	8	6.5	16272
900	1000	20	955	10	36	922	8	6.5	16275
1000	1100	20	1055	10	40	1022	8	6.5	16239
1120	1220	20	1175	10	45	1142	8	6.5	21234
1250	1350	20	1305	10	48	1272	8	6.5	21235

Screws are available separately. O-ring seal is included with CN flange.

Edition 2025 • Subject to alteration • Copyright by COLASIT AG Spiez

### COLASIT AG

Plastic construction • Faulenbachweg 63 • CH-3700 Spiez  
Phone +41 (0)33 655 61 61 • ventilations@colasit.com

www.colasit.com

Competence in plastics. Worldwide.

