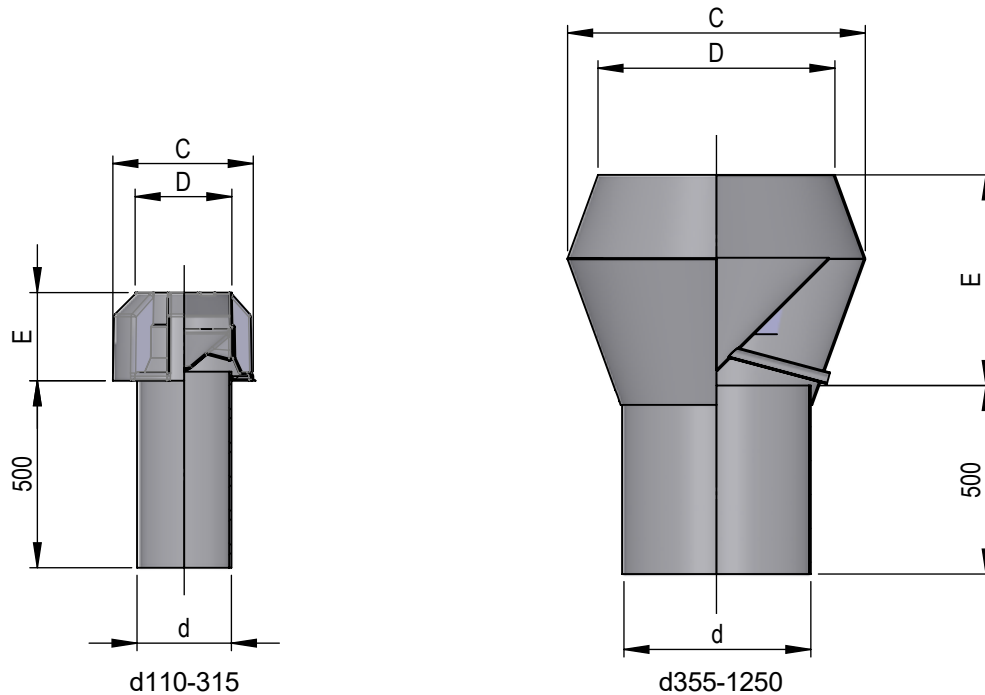


Rain cover

Dimension drawing
Material
Operating pressure

1031514
PPs
+/-1500 Pa, 40°C

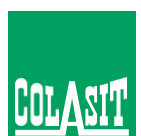


NG	C	D	E	Item No.
110	188	125	117	20360
125	188	125	117	20361
140	240	160	150	20362
160	240	160	150	20363
180	301	200	195	20366
200	301	200	195	20367
225	374	250	240	20368
250	374	250	240	20369
280	470	315	300	20370
315	470	315	300	20371
355	564	450	383	20372
400	634	505	438	20373
450	712	567	498	20374
500	790	629	559	20375
560	884	704	632	20376
630	994	791	717	20377
710	1118	890	814	20378
800	1261	1003	924	20379
900	1417	1127	1045	20380
1000	1573	1251	1167	20381
1120	1761	1400	1312	20382
1250	1964	1561	1470	20383

Edition 2023 • Subject to alteration • Copyright by COLASIT AG Spiez

COLASIT AG
Plastic construction • Faulenbachweg 63 • CH-3700 Spiez
Phone +41 (0)33 655 61 61 • ventilations@colasit.com
www.colasit.com

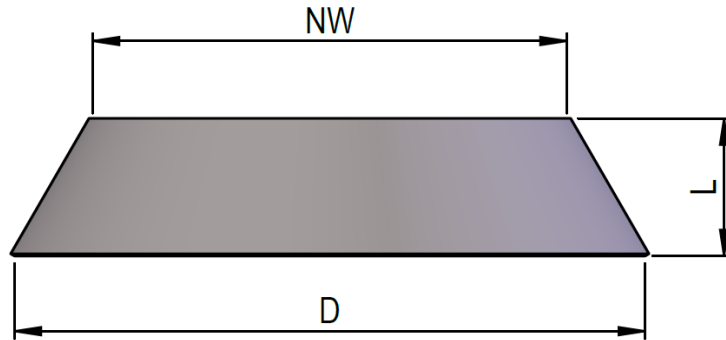
Competence in plastics. Worldwide.



Rain collar

Dimension drawing
Material

1005138
PPs



NW	D	L	Item No.
110	197	75	19022
125	212	75	19023
140	227	75	19025
160	247	75	19026
110	267	75	19027
200	287	75	19028
225	329	90	19029
250	354	90	19030
280	384	90	19031
315	419	90	19032
355	459	90	19033
400	504	90	19034
450	577	110	19035
500	627	110	19114
560	687	110	19115
630	757	110	19116
710	837	110	19117
800	944	125	19118
900	1044	125	19119
1000	1144	125	19120
1120	1264	125	19121
1250	1394	125	19122